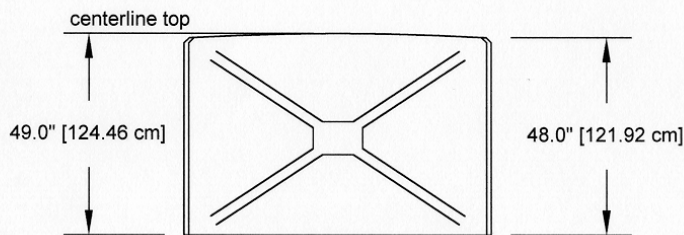
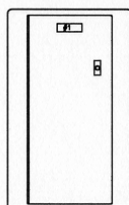


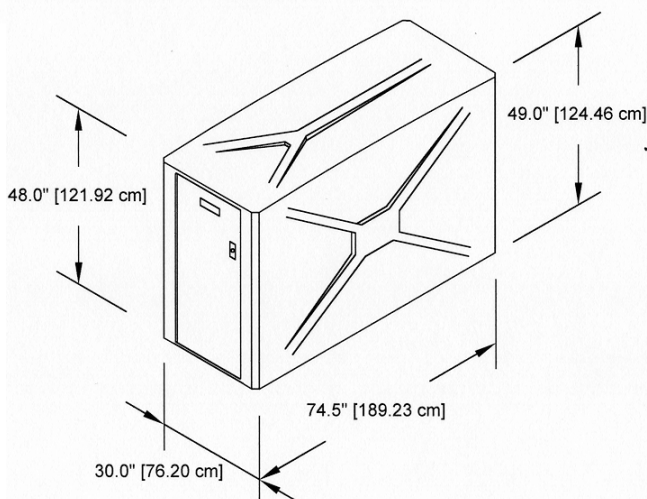
**PLAN**



**SIDE**



**END**



## MATERIALS

Structure: Fiberglass reinforced plastic  
 Hardware: 1/2" stainless steel bolts  
 3/8" anchors  
 Teflon washers  
 Heavy gauge stainless steel continuous door hinge  
 Zinc plated fasteners and assembly hardware

## FINISH

A hot dipped galvanized finish is offered on this model for a finish that is resistant to rust, corrosion, and oxidation.

Fiberglass reinforced plastic with a solid color stipple texture finish allows for easy removal of graffiti and is resistant to impact, scratches and U.V. damage.

Finish does not need painting, resists impact plus chemicals and stains. Materials will withstand extremes in temperature and other weather environmental conditions.

Tan and medium grey colors are available.

## MOUNTING

Stand alone or grouped options are available.

A stacking option is also available for specific models.

Bottom edge must be a minimum of 1" above ground level