

MATERIALS

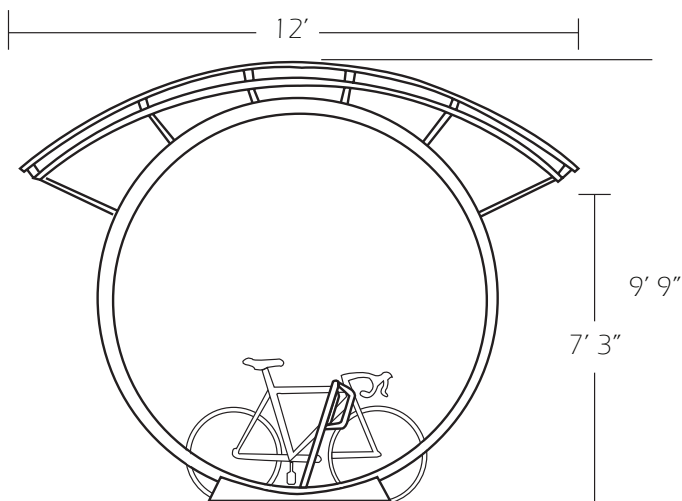
Roof: 8mm translucent polycarbonate PCSS
Structure: heavy gauge steel framing
Hardware: 5/8" x 4" embed stainless steel wedge anchor bolt (4 per mounting plate)
 Thick stainless steel anchor plate, grade 309 alloy

FINISH

Galvanized
 A hot dipped galvanized finish is our standard option and is protective against rust, corrosion and oxidation
Stainless Steel
 Stainless steel does not stain, rust, or corrode as easily as ordinary steel

MOUNTING

Surface Mount
 Mount in concrete foundation only with concrete anchors.
 3000 PSI concrete



MINIMAL SPACE USE RECOMMENDATION

Set Backs depend on the specific style of Oasis Shelter you purchase, please see the manual that ships with your rack for specifications on space requirements.

Oasis Model Standard Sizes:

- 12' x 17'
- 12' x 29'
- 12' x 41'

**Custom Sizes Available*
*** Please contact Parkabike for questions or for specs on other Oasis outdoor shelters.*

