

MATERIALS

ASTM A36 Steel for all structural steel plate (standard)
 Composite or recycled PE for top shelves

FINISH

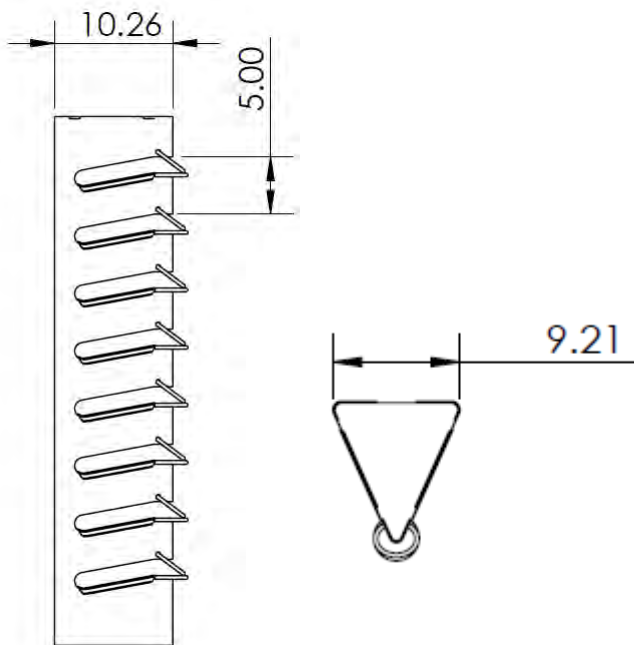
Hammer Tone Powder Coat

Media blasted primer with a zinc-rich epoxy base coat.
 Polyester UV-stable top coat.

MOUNTING

Wall Mount

Mounts your SkateDock to a wall using 6 masonry anchors 3/8" in diameter going into the wall for a secure and space saving unit.



MINIMAL SPACE USE RECOMMENDATION

Wall Setback:

For wall mounted racks, the rack is mounted flush against the wall.

Distance Between Racks:

24" is the minimum distance between racks. 36" is recommended.

Street Setback:

36" is the minimum distance between the street and the rack. 48" is recommended.