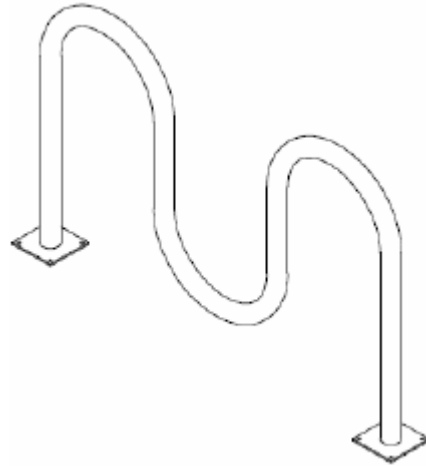


2100 Series Wave Rack
Flange Mount Installation
Instructions



B. Flange Mount (*Note: It's recommended that concrete cure for 28 days prior to mounting.*)

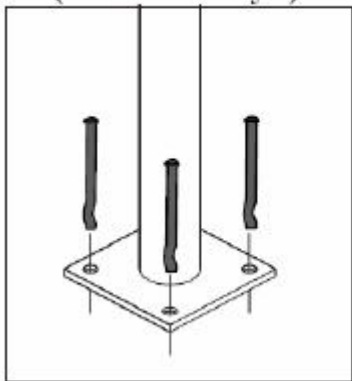
1. Temporary Mount (Model #6263 - **Sold Separately**)

- Determine desired location of unit (mark hole locations using flange as a guide).
- Using a 1/2" masonry drill bit, drill holes in cement 2" deep.
- Insert anchor shields into holes and tap in place with a hammer.
- Align holes in flange with anchors and secure with a 5/16"-18 x 2" lag bolts.

2. Permanent Mount (Model #6260 - **Sold Separately**)

- Determine desired location of unit.
- Using a 3/8" masonry drill bit, drill through the flange mount and into the concrete 3-1/4".
- Blow the hole clean of dust and other material.
- Drive spike through flange mount and into hole, until head of spike is seated on the flange mount.

Flange Mount Illustration
(Permanent Style)



Flange Mount Illustration
(Temporary Style)

