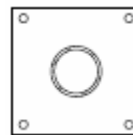
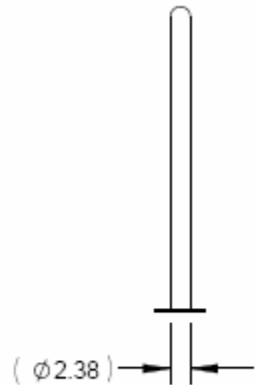
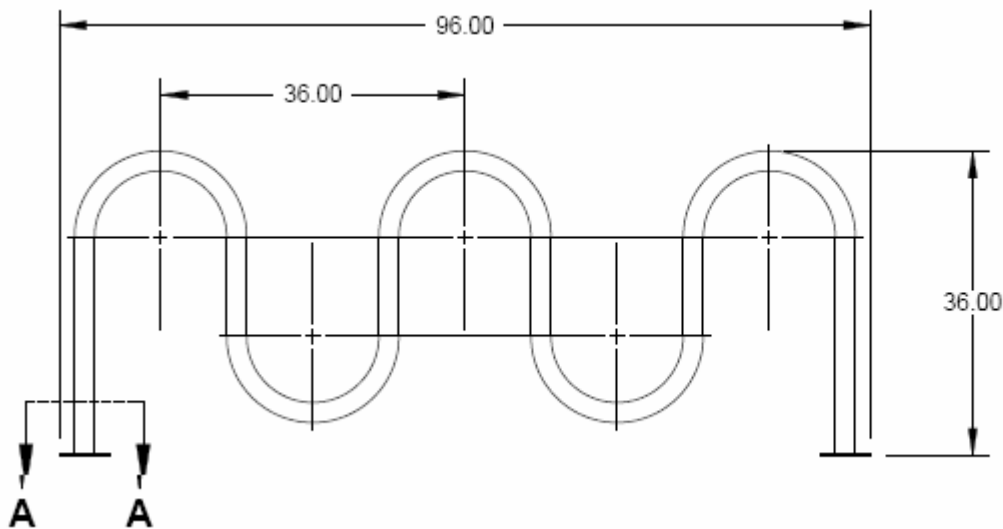
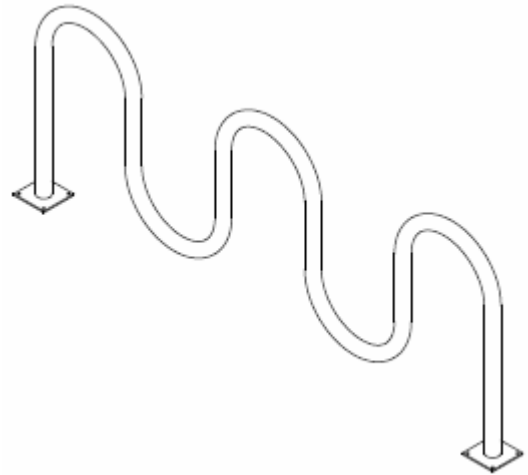


2106 - 7 BIKE WAVE RACK

- Heavy duty 2-3/8" 9 Gauge schedule 40 pipe
- Black polyester powder coat finish
- Wider loop spacing provides more convenient parking access
- Heavy duty pipe offers high security



2X 6" X 6" X .25" SQUARE
FLANGE MOUNTING PLATE
WITH 4 $\phi 3/8$ " MOUNTING HOLES

NOTE:

1. DO NOT SCALE DRAWING.
2. INTALLATION TO BE COMPLETED IN ACCORDANCE WITH MANUFACTURER'S SPECIFICATIONS.