

6200 Series Assembly Instructions

Parts List

**Double/Single Park-A-Bike

Item#	Part#	Qty(Dbl/Sgl)	Description
①	6201-63	8/6	3/8"-16x 30 1/4" hex bolt
②	1070-73	8/6	3/8"-16 nut
③	6101-31	12/10	1-5/8" dia. end cap
④	1070-85	8/6	3/8" split lock washer

*Note: Single sided racks come with one brace pole.

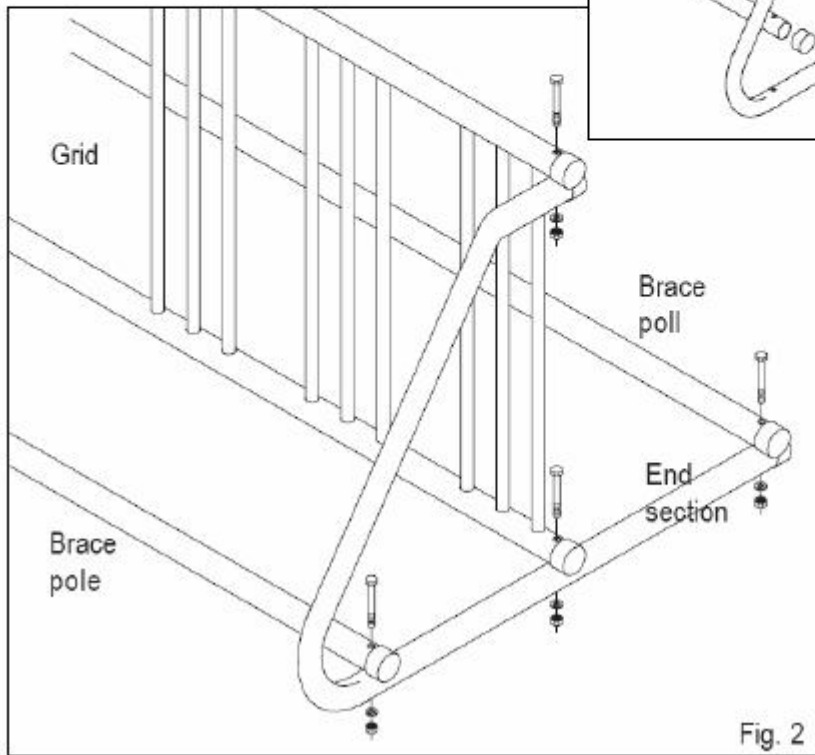
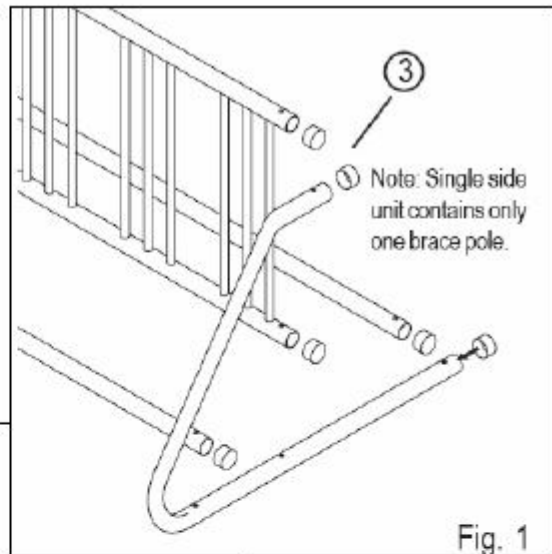
**Double sided unit pictured in illustrations.

Step 1:

Place end caps over ends of tubing (Fig. 1)

Step 2:

Align holes in grid section with mating holes in end section (Fig. 2)



**6200 Series Assembly
Instructions**

Step 3:

At the top of the grid, insert a 3/8"-16 x 3-1/4" hex head bolt down through tubes and fasten finger tight with a 3/8"-16 nut (Fig. 3)

Step 4:

At the bottom of the grid, once again insert bolt down through tubing and fasten finger tight with a 3/8" split lock washer and 3/8"-16 nut (Fig. 2)
Repeat at opposite end of grid.

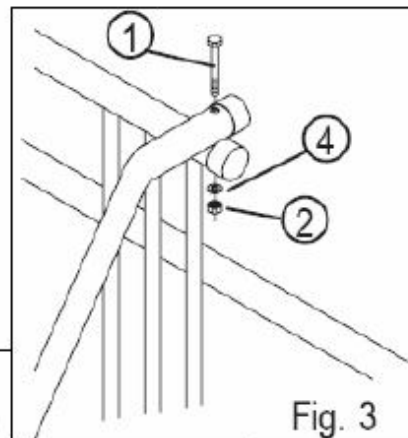


Fig. 3

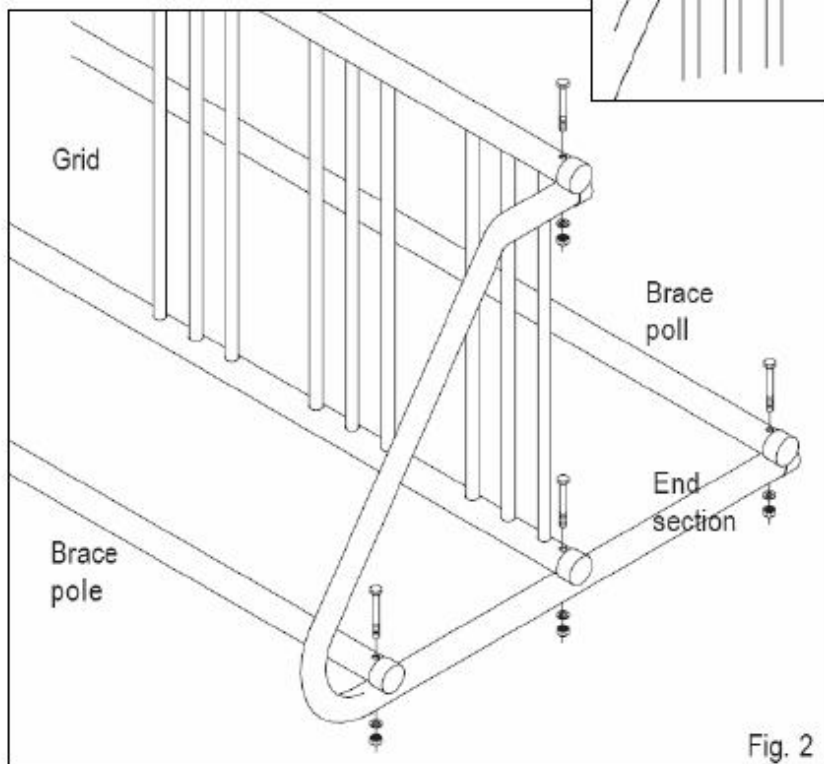


Fig. 2

Step 5:

Attach brace poles to each end section, securing as in step 4 (Fig. 2)

Step 6:

Tighten all hardware completely.