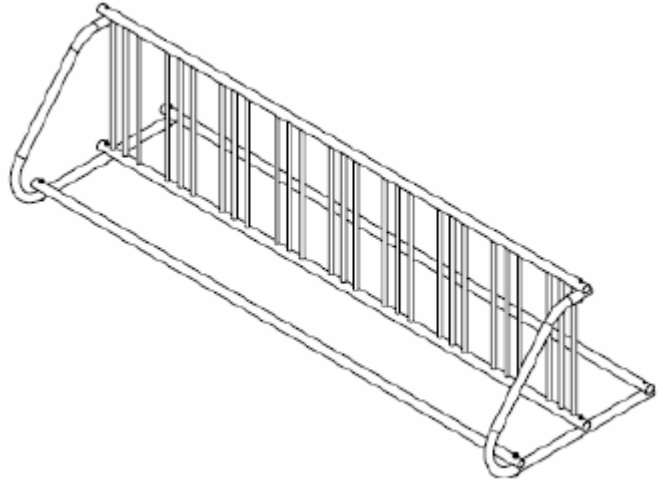


6201 - 18 BIKE GRID RACK

1. Electroplated in a chromate solution with Ultra Seal finish (10x more weather-resistance than galvanization) applied after welding.
2. Welded unitized grid.
3. Can be anchored in lawns, concrete, or asphalt using Anchors (Sold separately).
4. Units can be joined together with additional kit.



Our nuts-and-bolts commercial rack.

Indefatigable even in the highest traffic areas.

Five to eighteen bike capacity.

Comes in single and double sided units to park bikes on one or both sides.

Accommodates both wide and narrow tires.

6201 - 18 BIKE GRID RACK

