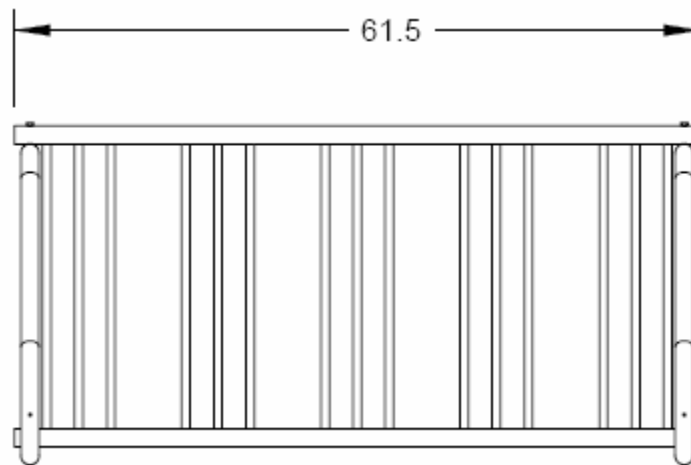
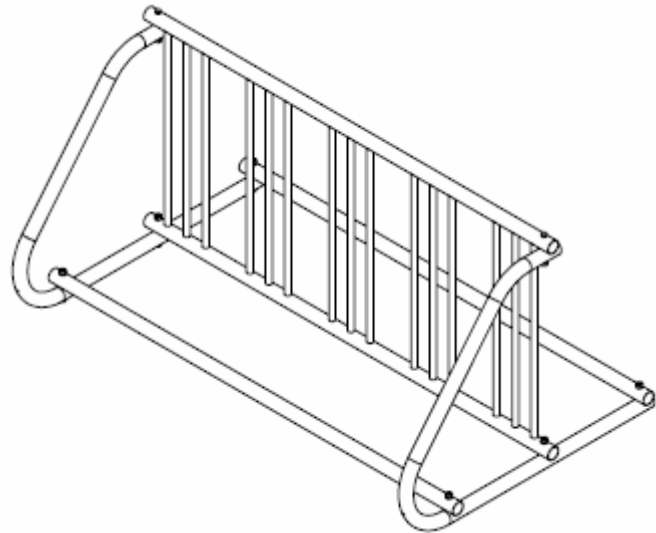
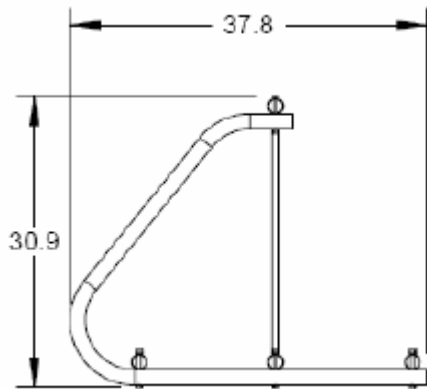


## 6205 - 10 BIKE GRID RACK



**NOTE:**

1. DO NOT SCALE DRAWING.
2. INTALLATION TO BE COMPLETED IN ACCORDANCE WITH MANUFACTURER'S SPECIFICATIONS.