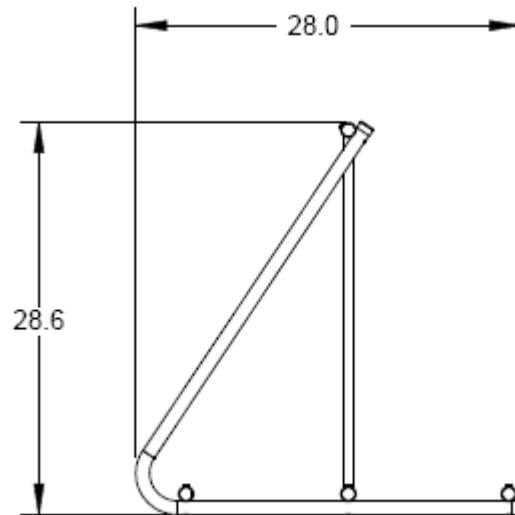
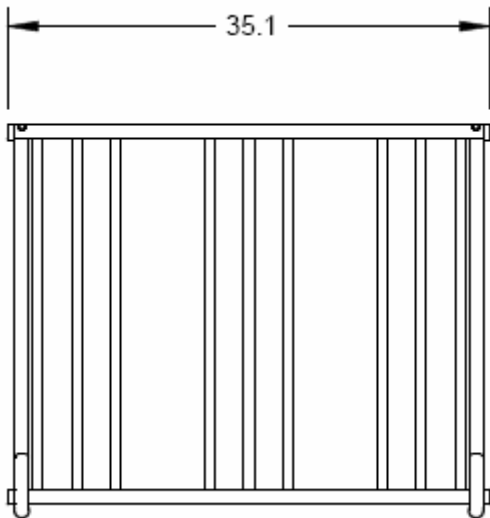
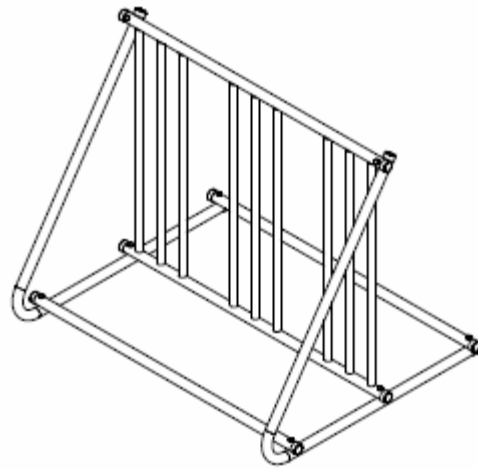


**6210 - MIGHTY MITE**

- Parks up to 6 bikes
- Lightweight, yet surprisingly solid.
- Durable and weatherproof.
- Welded grid with one-piece and sections.



**NOTE:**

1. DO NOT SCALE DRAWING.
2. INTALLATION TO BE COMPLETED IN ACCORDANCE WITH MANUFACTURER'S SPECIFICATIONS.