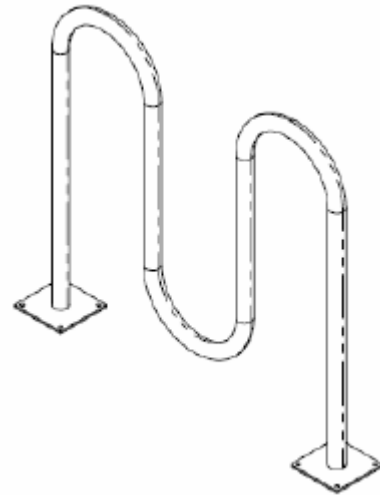


6800 Wave Series Flange Mount Installation



2 X 6" X 6" X .25"
FLANGE MOUNTING PLATE
WITH 4 Ø5/8" MOUNTING HOLES



Flange Mount: (Note: It's recommended that concrete cure for 28 days prior to mounting.)

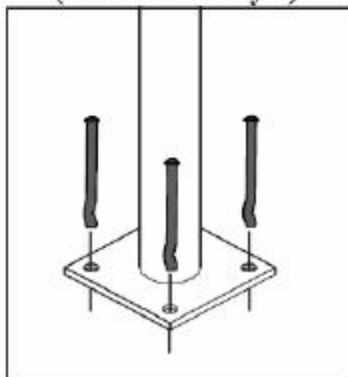
1. Temporary Mount (Model #6263-Sold Separately)

- Determine desired location of until (mark hole locations using flange as a guide).
- Using a 1/2" masonry drill bit, drill holes in cement 2" deep.
- Insert anchor shields into holes and tap in place with a hammer.
- Align holes in flange with anchors and secure with a 5/16"-18x2" lag bolts.

2. Permanent Mount (Model #6260-Sold Separately)

- Determine desired location of unit.
- Using a 3/8" masonry drill bit, drill through the flange mount into the concrete 3-1/4".
- Blow the hole clean of dust and other material.
- Drive spike through flange mount and into hole, until head of spike is seated on the flange mount.

**Flange Mount Illustration
(Permanent Style)**



**Flange Mount Illustration
(Temporary Style)**

