

Park **a** Bike

smart racks | smart solutions

The Apex Outdoor Shelter



FEATURES AT A GLANCE

- State-of-the-art design
- Polycarbonate, translucent roof keeps bikes and boards dry, but can let in light on a sunny day
- Durable steel frame construction to withstand harsh outdoor conditions
- Available in multiple standard and custom sizes to fit almost any outdoor space
- Design allows for one row of bikes as well as additional parking as bikes can be locked to the frame of the shelter itself
- Powder coat or kynar resin finish options
- Optional 3S solar block coating for additional UV protection
- Roof is available in several different translucent color options

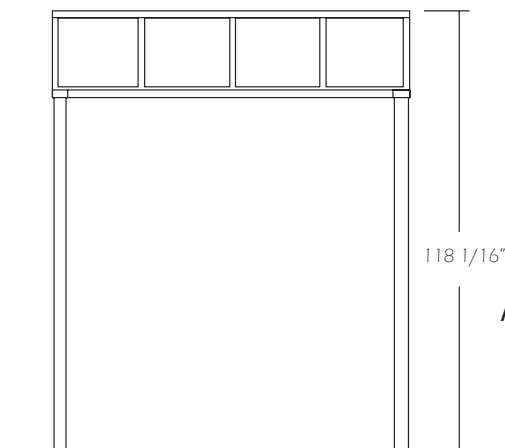
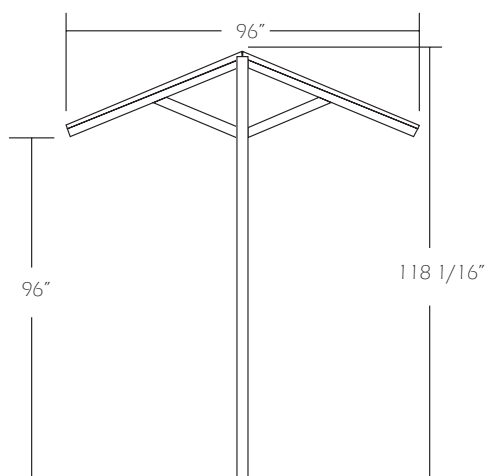


Our Apex series outdoor shelters are designed to be mounted to a concrete surface with the provided flange or embedded in ground, and can be customized to fit almost any space where shelters are needed.

Model	*Max # of Racks	Max # of Bikes	Finish Options	Dimensions
A68	2	4	Powder Coat/Kynar	6'x8'x10'
A88	3	6	Powder Coat/Kynar	8'x8'x10'
A812	4	8	Powder Coat/Kynar	12'x8'x10'
A818	5	10	Powder Coat/Kynar	18'x8'x10'
A824	6	12	Powder Coat/Kynar	24'x8'x10'
A912	4	8	Powder Coat/Kynar	12'x9'x10'
A918	5	10	Powder Coat/Kynar	18'x9'x10'
A924	6	12	Powder Coat/Kynar	24'x9'x10'
A930	7	14	Powder Coat/Kynar	30'x9'x10'

*Based on the footprint of the 2 bike Varsity Bike Dock

8' wide models only



A88 model

MATERIALS

Roof: 8mm translucent polycarbonate PCSS pannels with anodized aluminum frame

Structure: heavy gauge steel framing

Hardware: 5/8" x 4" embed stainless steel wedge anchor bolt (4 per column)

1/2" thick stainless steel anchor plate, grade 309 alloy

FINISHES

Black Powder Coat

Final Coat- Polyester based Powder Coating – this offers a hard shell finish to the product to protect the metal substrate from oxidizing. Our finishes withstand harsh conditions with a strong polyester UV-stable coating with superior salt spray protection.

Kynar Resin

Is a special grade of PVDF resin used as the base resin in long-life coatings for aluminum, galvanized steel, aluminized steel, as well as metal trim and components.

MOUNTING

Surface Mount

An above ground mount that is anchored to a concrete base using a flange and four wedge anchors.

In Ground Mount

An in-ground mount is embedded into a concrete base using a combination of cement and gravel.

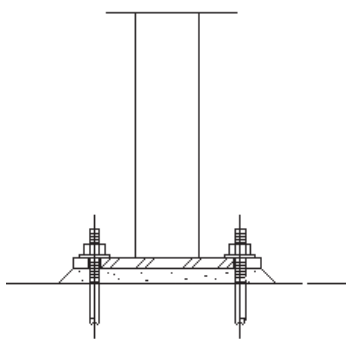
CUSTOMIZING

We offer opal, clear, bronze, green or blue colors for roofing options

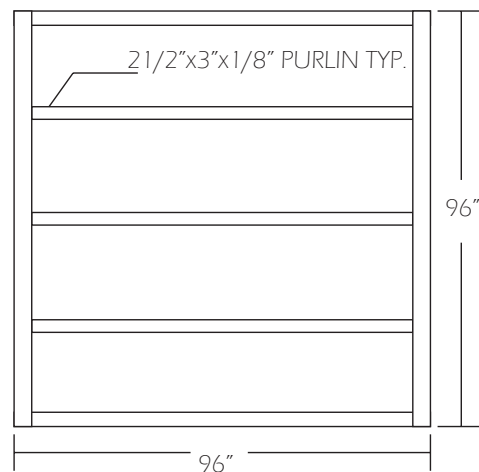
Almost any size shelter can be designed for different available spaces

Logos, mascots, messaging, and sponsorship can be laser cut into the shelter for an additional cost

Surface Mount



A88 overhead



STANDARD SIZES

6' x 8' \leq 4 bikes	8' x 18' \leq 10 bikes	9' x 18' \leq 10 bikes
8' x 8' \leq 6 bikes	8' x 24' \leq 12 bikes	9' x 24' \leq 12 bikes
8' x 12' \leq 8 bikes	9' x 12' \leq 8 bikes	9' x 30' \leq 14 bikes

**Custom sizes are available. Number of bikes based on the footprint of the 2 bike Varsity Bike Dock*