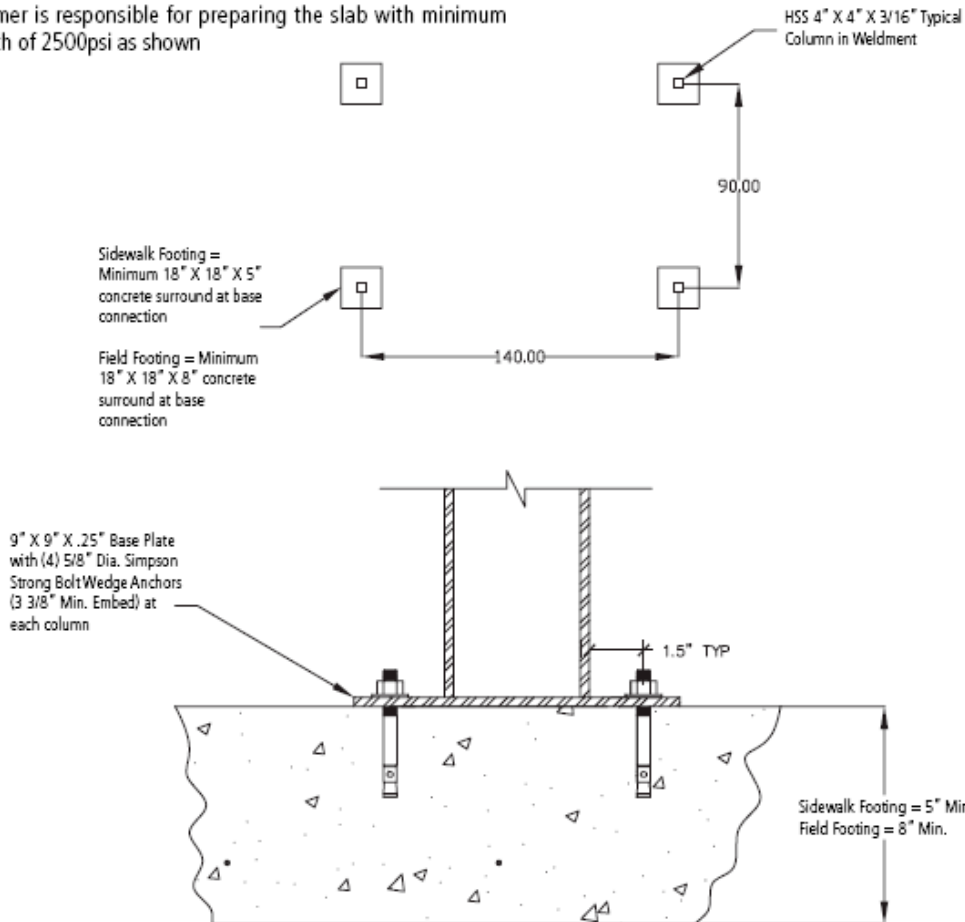
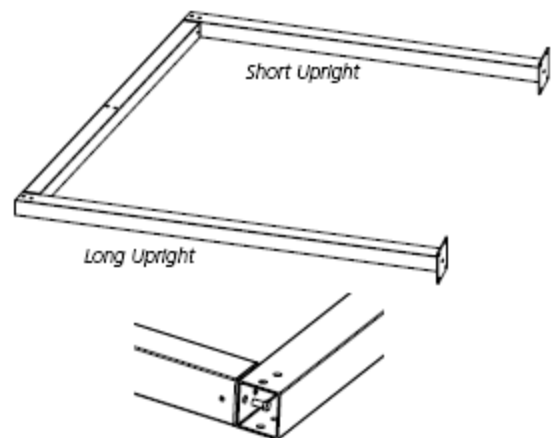


- 1** Customer is responsible for preparing the slab with minimum strength of 2500psi as shown



- 2** Lay an UPRIGHT SHORT and UPRIGHT TALL on the ground parallel to each other and about 86" apart. Lay a ROOF MEMBER between the two uprights and attach with four 1/2" bolts (finger tight). Note that the open square in the middle of the ROOF MEMBER should be facing the top of the assembly.

Repeat this step for the other UPRIGHTS and ROOF MEMBER.

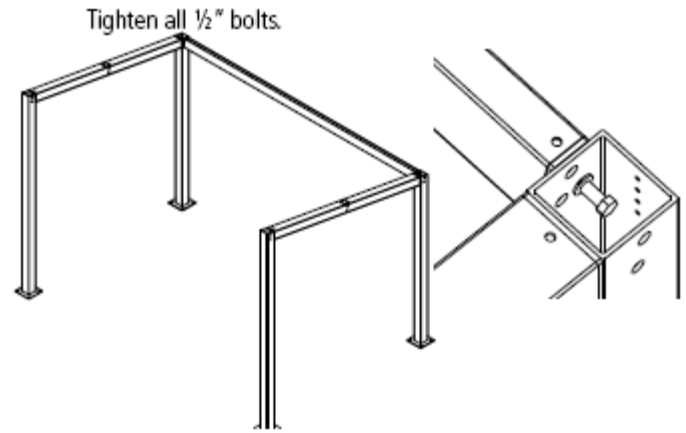


Park-a-Bike

Bicycle Parking Solutions

- 3** With the help of 2 assistants, stand both UPRIGHT ASSEMBLIES up, about 136" apart. Lift a ROOF MEMBER LONG into place and attach it with four 1/2" bolts (finger tight). Lift the remaining ROOF MEMBER LONG pieces into place and attach them with four 1/2" bolts each.

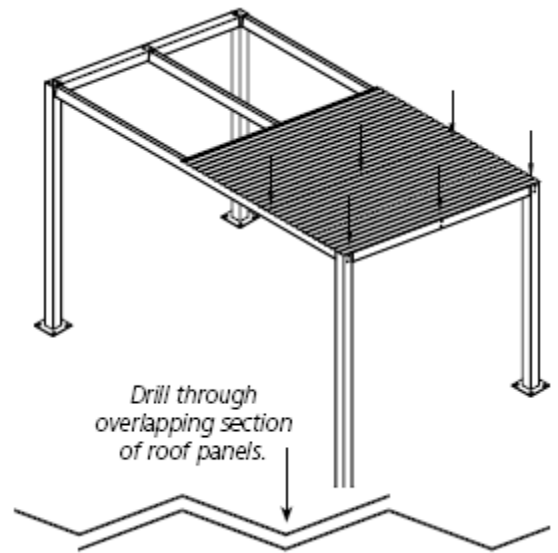
If installing additional units, repeat step 3 until all framework is assembled.



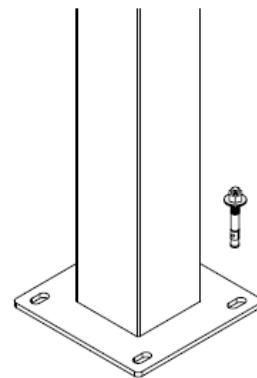
- 4** Place the initial ROOF PANEL at one end of the assembly. The panel should cover both openings at the top of the uprights. With a self-drilling screw, drill through the ROOF PANEL and ROOF MEMBER LONG in noted points.

You may want to clamp a wood 2x4 to both UPRIGHT SHORTS at the level of the ROOF panel, so that all the ROOF PANELS stay aligned with each other.

Place the next ROOF PANEL in place, drill where noted. Repeat with the rest of the ROOF PANELS. ROOF PANELS should overlap by the noted amount. The last ROOF PANEL may overlap more.



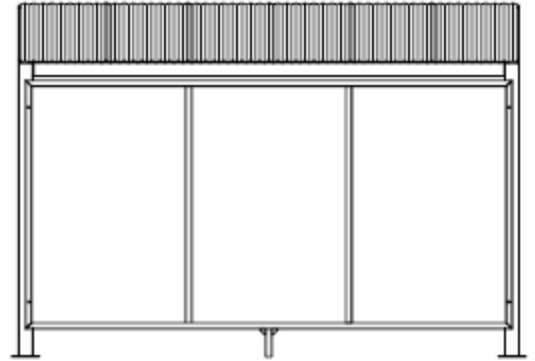
- 5** Drill 3/8" holes in the ground at the four slotted holes in the UPRIGHTS and secure the UPRIGHTS with 3/8" wedge anchors. If adding side panels, continue to step 6.



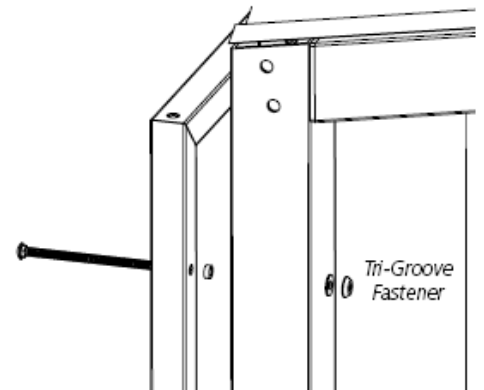
Park-a-Bike

Bicycle Parking Solutions

- 6** ADDING SIDE AND REAR PANELS
Place the REAR PANEL in place and clamp it to the UPRIGHT SHORTS. Using the four 1/2" holes in the REAR PANEL as a guide, drill through both walls of the UPRIGHT SHORTS with a 3/8" drill bit.

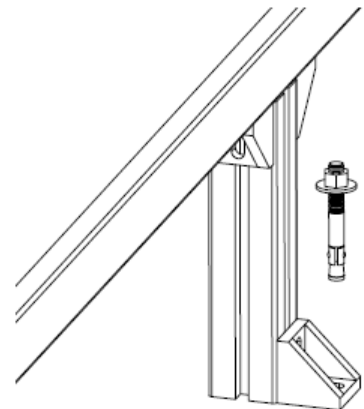


- 7** Bolt the REAR PANEL to the UPRIGHT SHORTS with the aluminum spacers in between the REAR PANEL and UPRIGHT SHORTS.



Installing Side Panels

- 8** Drill a 1/4" hole in the ground at the slotted hole in the REAR PANNEL foot and secure with a 1/4" wedge anchor.



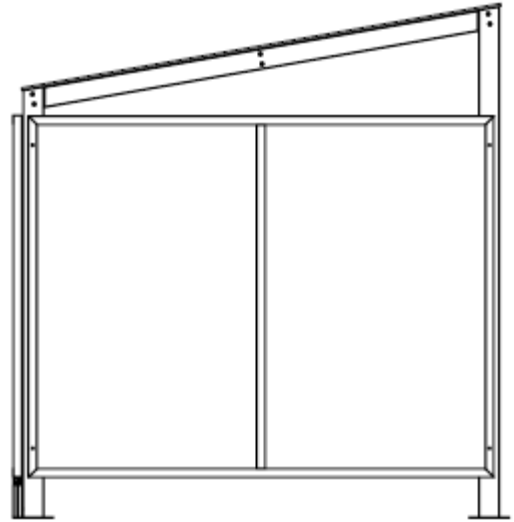
Park-a-Bike

Bicycle Parking Solutions

- 9 Place the SIDE PANEL in place and clamp it to the UPRIGHTS. Using the four 1/2" holes in the SIDE PANEL as a guide, drill through both walls of the UPRIGHTS with a 3/8" drill bit.

Bolt the SIDE PANEL to the UPRIGHTS with the aluminum spacers in between the SIDE PANEL and UPRIGHTS.

Repeat for the other SIDE PANEL.



Installing Add-On Units to an Existing Shelter

- 1 Remove the SIDE PANEL from the side of the shelter the addition will be added, if applicable. The SIDE PANEL will then be re-installed on the last addition. Remove one ROOF PANEL adjacent to the side of the shelter the addition will be added .

Refer to "Bike Haven Installation Instructions" to complete the addition.