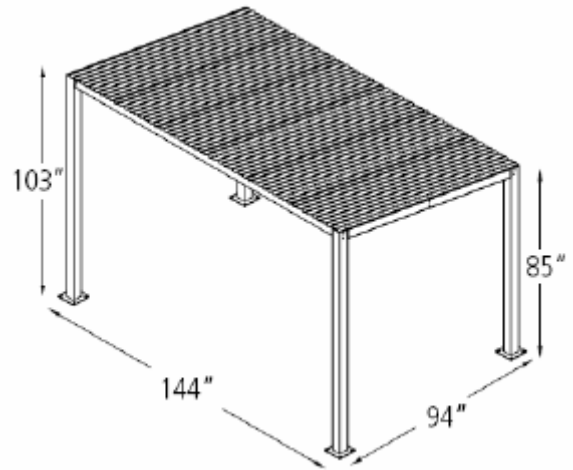
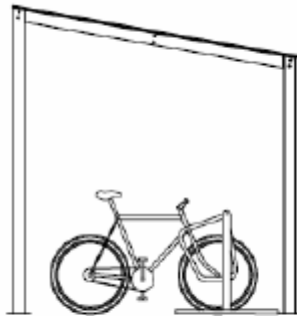


Bike Haven

The Bike Haven is just a simple canopy design to protect from weather. There is plenty of room to add Hoop Racks, Campus Racks, or just about any other configuration underneath the shelter. Listed below are possible options.

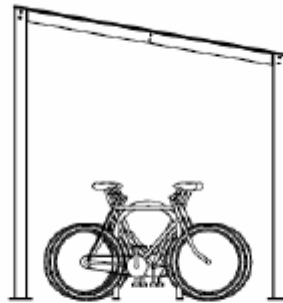


Bike parking capacity using various configurations:



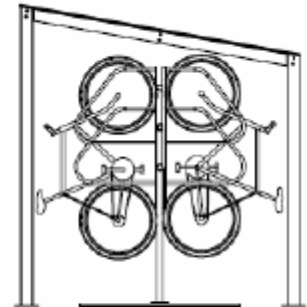
Campus Rack

*With Side Panels: 6 Bikes
No Side Panels: 8 Bikes*



Hoop Racks

*With Side Panels: 8 Bikes
No Side Panels: 10 Bikes*



Ultra Space Saver

*Single Sided: 7 Bikes
Double Sided: 14 Bikes*

Materials: Uprights: 4" x 3/16" square tube.
Feet: 1/4" plate.
Roof Member: 4" x 1/8" square tube.
Roof Member Long: 2" x 4" x 1/8" tube.
Roof Panels: 1/2" 22 gauge corrugated galvanized steel.
Panels: 1/4" clear polycarbonate with 1.77" square aluminum framing.

Finishes: Galvanized, Thermoplastic Coating, or Colored Powder Coat

Space Use: Consult local building codes for acceptable setbacks and placement.

Installation Methods: Surface mount has 8" square feet which must be anchored to the ground with supplied anchors.

Load Data: Dead load = Self weight of structure.
Live Load = 40 psf
Wind Load = 90mph exposure B
Seismic Load = Moderate
Anchors: 5/8" diameter x 4.5" Simpson Strong-bolt Wedge Anchors.

The Bike Haven is fully modular in design. Add-on units are available to accommodate your bike parking capacity needs.

