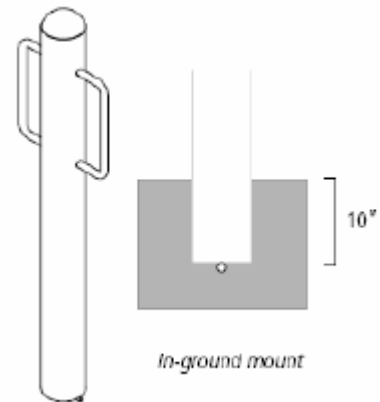


Bollard Hitch Series Rack – In Ground Installation

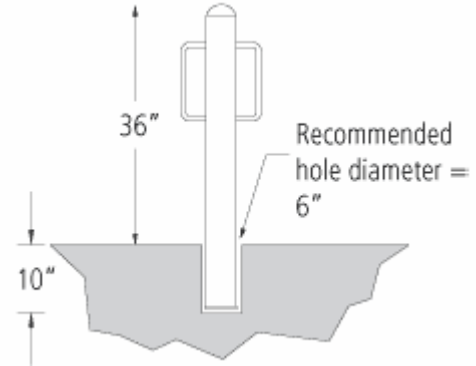
Tools Needed for Installation

Level
 Cement Mixing Tub
 Shovel
 Trowel
 Hole Coring Machine with 4" bit
 Access to water hose
 Materials to build brace



Installing into Existing Sidewalk

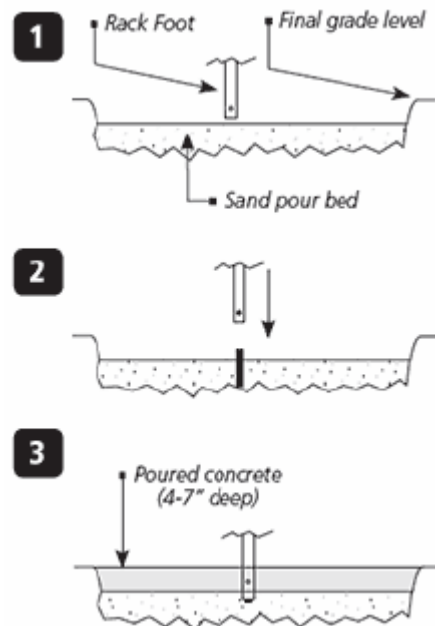
Core holes no less than 3" diameter (4" recommended) and no less than 6" deep into sidewalk. Place bollard into hole making sure the rack is level. Fill hole with Por-Rok or epoxy grout. 34-36" of the bollard should remain above the surface. Make sure bollard is level and held in place until the grout has completely set.



Installing into New Sidewalk

Stake Method:

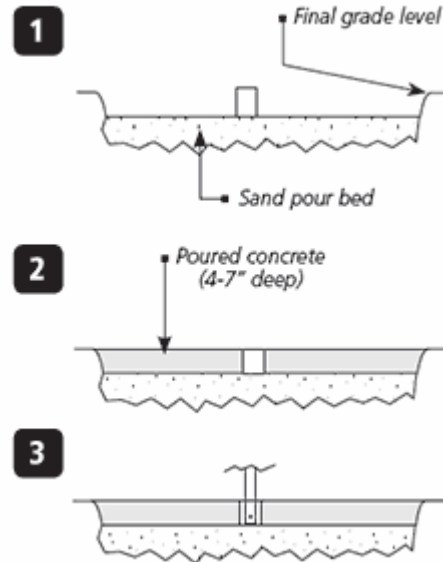
1. Use rack to measure exact location in pour bed.
2. Pound stake into pour bed where end of rack will sit. Slide rack end onto stake. You may need to dig the end of the rack into the sand to make sure the rack sits at least 35" above final grade level. The stake keeps the rack straight while the concrete is being poured.
3. Make sure the rack is level and true. Pour concrete around the rack. Make sure the rack is not touched until the concrete has completely set.



Bollard Hitch Series Rack – In Ground Installation *(continued)*

Sleeve Method:

1. Place corrosion resistant sleeve (min. 3" inside diameter) in sand pour bed in exact location where rack will be installed. Make sure top of sleeve is at same level as desired finished concrete surface. Fill sleeve with sand to keep it in place and prevent it from filling with concrete.
2. Pour concrete and allow to cure.
3. After appropriate cure time, dig out sand from sleeves and insert racks, making sure they are level and at the appropriate height. Pour in Por-Rok or epoxy grout and allow to set.



Note: Sleeve should have profile to keep it from coming loose from hardened concrete.

