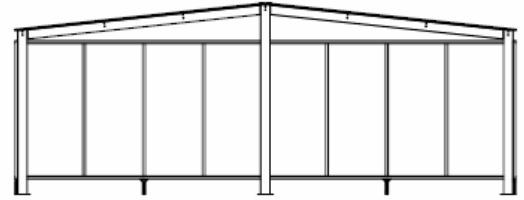
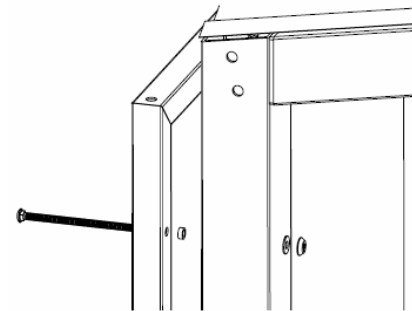


Cycle Station – Installation Instructions for Side Panels

1. Place a Rear Panel in place and clamp it to the Upright Short and Upright Tall. Using the four $\frac{1}{2}$ " holes in the Rear Panel as a guide, drill through both walls of the Uprights with a $\frac{3}{8}$ " drill bit.

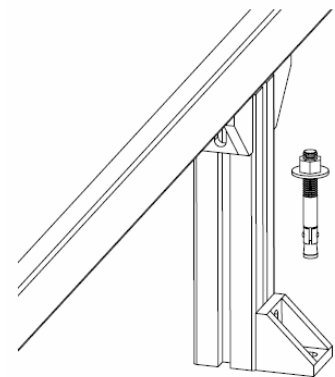


2. Bolt the Rear Panel to the Uprights with the aluminum spacers in between the Rear Panel and Upright.



3. Drill a $\frac{1}{4}$ " hole in the ground at the slotted hole in the Rear Panel foot and secure with a $\frac{1}{4}$ " wedge anchor.

Repeat for the other Rear Panel.



4. Place the Side Panel in place and clamp it to the Uprights. Using the four $\frac{1}{2}$ " holes in the Side Panel as a guide, drill through both walls of the Uprights with a $\frac{3}{8}$ " drill bit.

Bolt the Side Panel to the Uprights with the aluminum spacers in between the Side Panel and Uprights.

Repeat for the other Side Panel.

