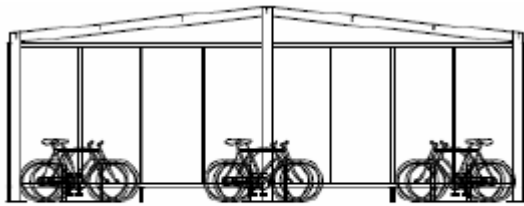
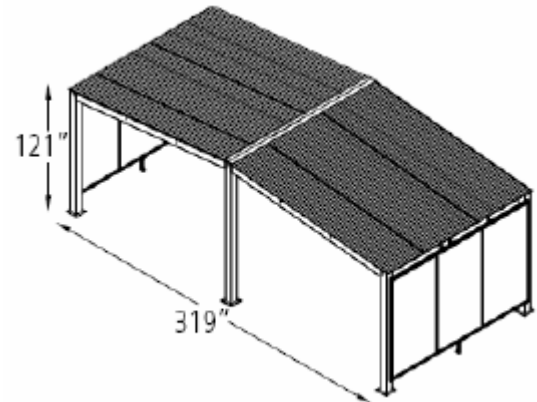




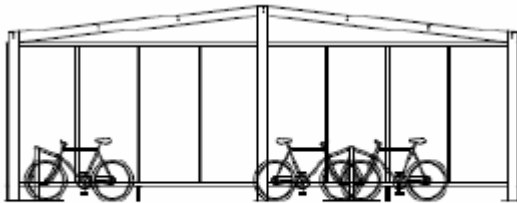
Cycle Station

Capacity: See diagrams below for configurations.



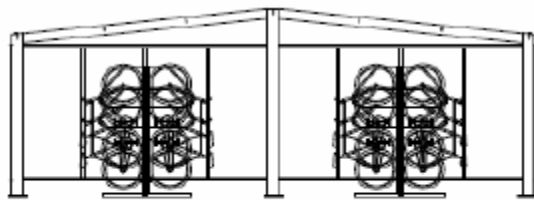
Hoop Racks

With Side Panels: 24 Bikes
No Side Panels: 28 Bikes



Campus Rack

With Side Panels: 14 Bikes
No Side Panels: 22 Bikes



Ultra Space Saver

With Side Panels: 28 Bikes
No Side Panels: 32 Bikes

Materials:

Uprights: 6" x 1/4" square tube.
Feet: 3/8" plate.
Roof Member: 4" x 1/8" square tube.
Roof Member Long: 2" x 4" x 1/8" tube.
Roof Panels: 7/8" 24 gauge corrugated galvanized steel.
Panels: 1/4" clear polycarbonate with 1.77" square aluminum framing.

Finish:

Galvanized, Thermoplastic Coating, and Powder Coat for colored options.

Installation

Method:

Surface mount - It is the responsibility of the installer to ensure that all base materials into which the shelter will be installed can support the rack and will not be damaged by any required installation procedures.

Space Use:

Foot print: 319" x 148"
Overall dimensions: L 315", W 144", H 122"

Load Data:

Dead Load = Self weight of structure. Live Load = Snow Load = 55 psf
Wind Load = 90 mph exposure B Seismic Load = maximum
Anchor Bolt = 5/8" x 4 1/2" embed Simpson Strong – bolt wedge anchors