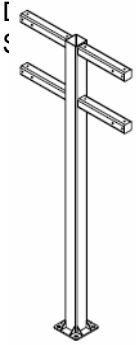
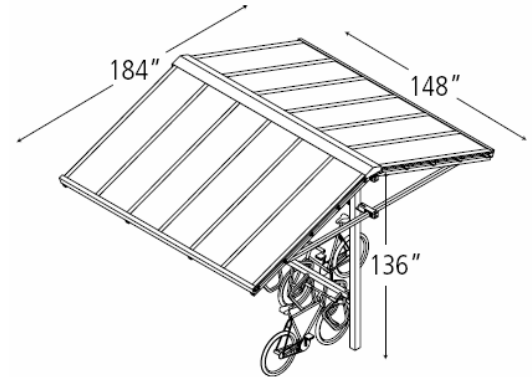


Tools Needed

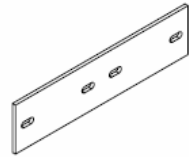
- Tape Measure
- Masonry Bit
- Marker or Pencil
- 9/16" Wrench/Socket
- Level
- 1 1/2" Wrench/Socket
- Hammer
- 5/16" Wrench/Socket

Parts List

Heavy Lifting Equipment
or drill recommended)

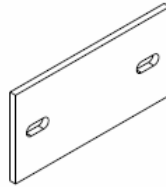


Upright

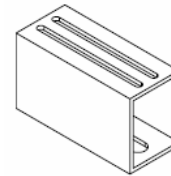


Crossbar Connector

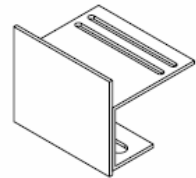
Philips Head



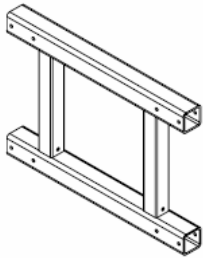
Truss Spacer



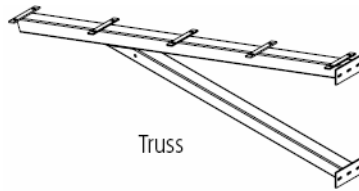
End Purlin



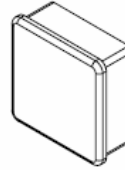
Bottom End Purlin



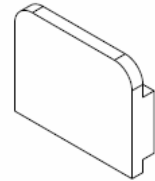
Crossbar



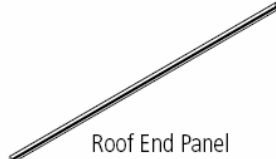
Truss



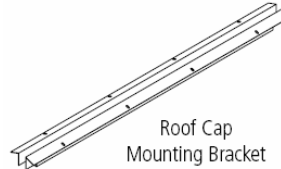
Square Tube Insert



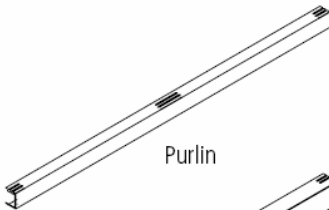
Roof Panel Connector End Cap



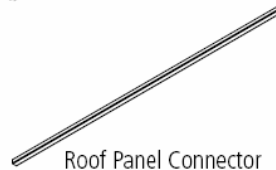
Roof End Panel



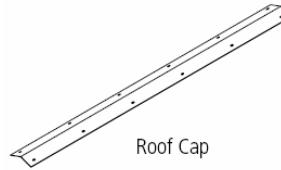
Roof Cap Mounting Bracket



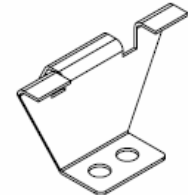
Purlin



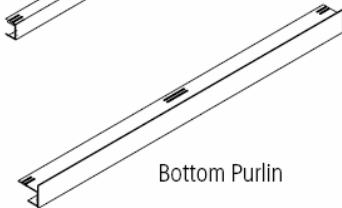
Roof Panel Connector



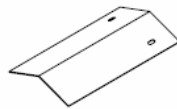
Roof Cap



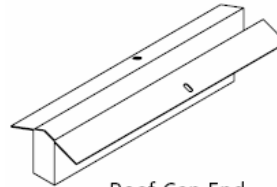
Roof Mounting Bracket



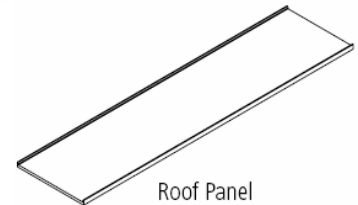
Bottom Purlin



Roof End Cap



Roof Cap End Mounting Bracket



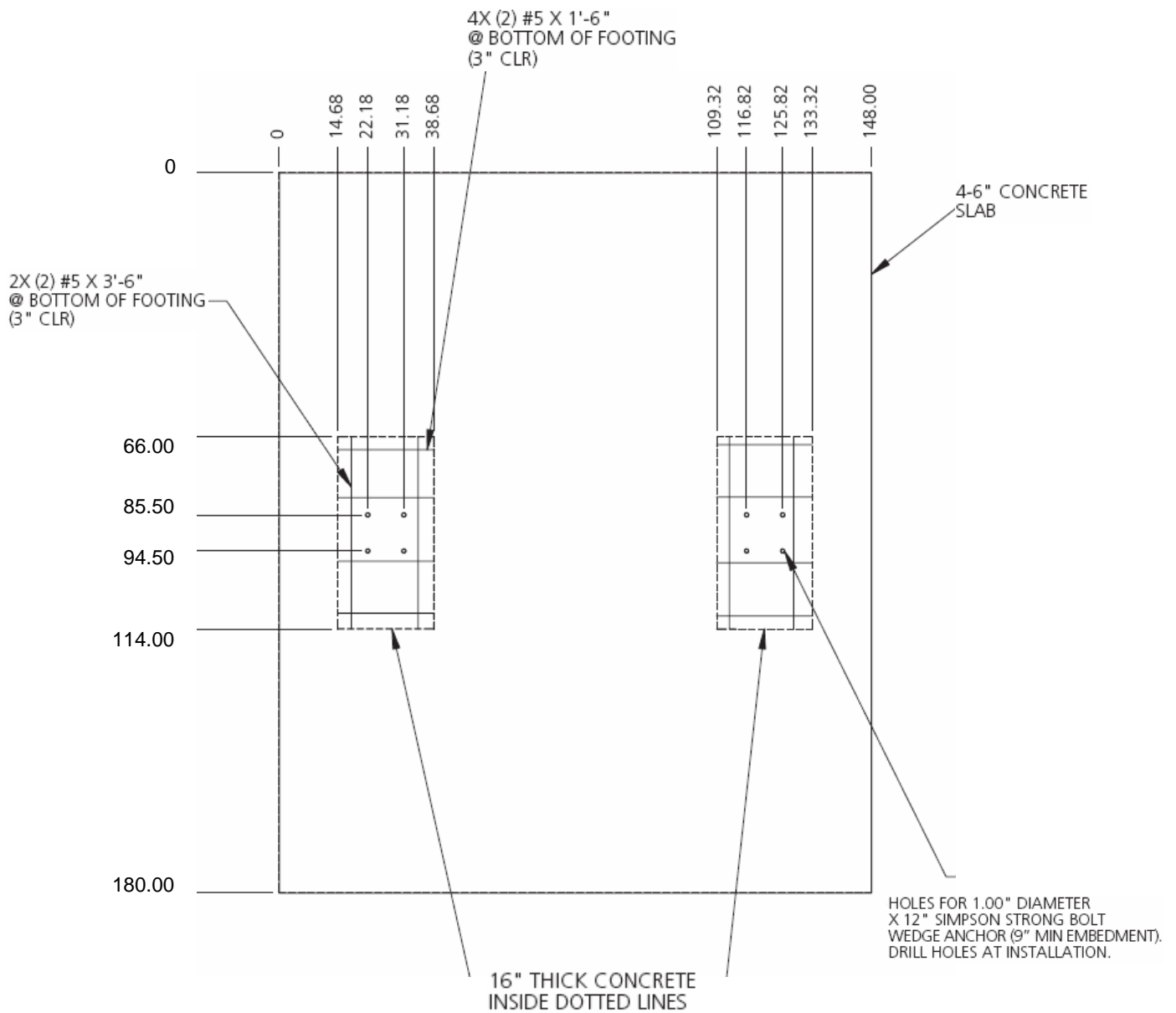
Roof Panel

Recommended Base Materials:

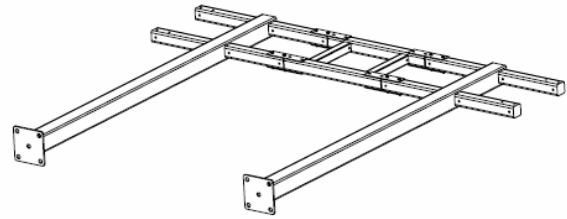
Concrete surface required with minimum strength of 2500psi. Minimum required footings shown inside dotted region below.

Installation:

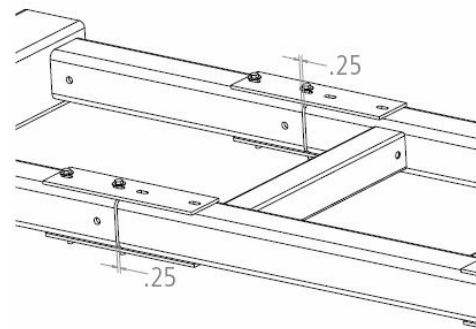
1. Customer is responsible for preparing the slab as shown.



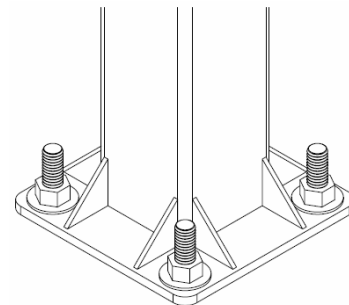
- Components are heavy. Use lifting equipment and follow safety precautions. With the (2) Uprights and the (1) Crossbar lying on the ground, connect them with the (8) Crossbars and the (16) 3/8" x 5.75" Hex Head Cap Screws, Washers, and Nuts. Parts must be square and level.



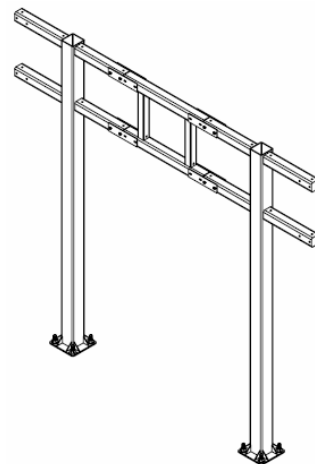
- Verify that there is a 1/4" gap between the Uprights and the Crossbar.



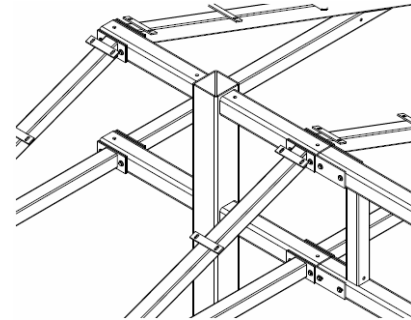
- Using a forklift or other heavy lifting device, raise the bolted-together frame and place in the correct location on the slab. Make sure the frame is square and level. Keeping the frame in place, drill holes at least 9" deep for the 1" anchors in the concrete, using the holes in the Upright as a template. Pound in the anchors and slip Washers over the exposed thread. Secure the Uprights to the concrete by tightening the nuts.



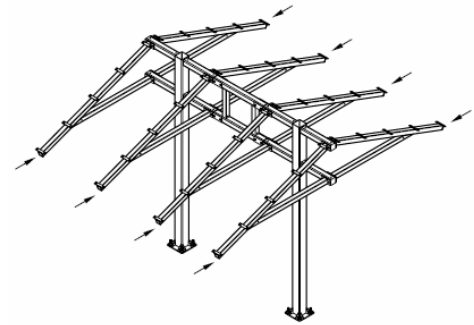
- Verify that all frame components are all square and level.



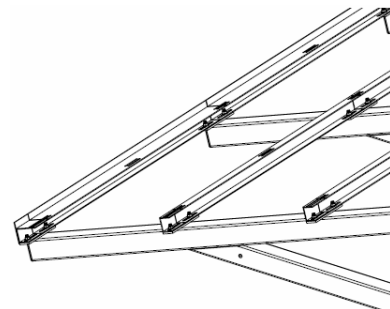
6. Place the Truss Spacers in between the Trusses and the Uprights for the Trusses on the ends. The Trusses in the middle sections will rest on the Crossbars. Bolt components together with the 3/8" x 5.75" Hex Head Cap Screws, Washers, and Nuts.



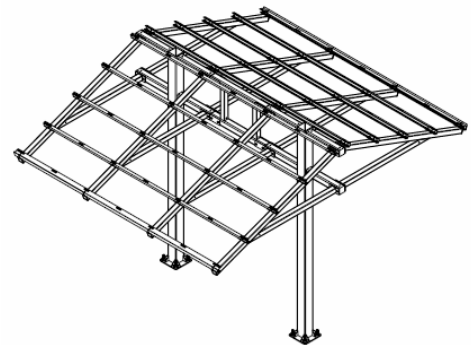
7. Pound the plastic 3" Square Tube Inserts into the exposed ends of the Trusses.



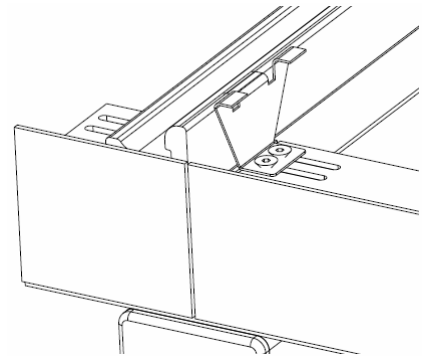
8. Bolt the Purlins and the End Purlins to the Trusses with 3/8" x 1.00" Carriage Bolts and Flange Nuts. The heads of the Carriage Bolts should face down. Connect the Bottom Purlins and the Bottom End Purlins in a similar fashion.



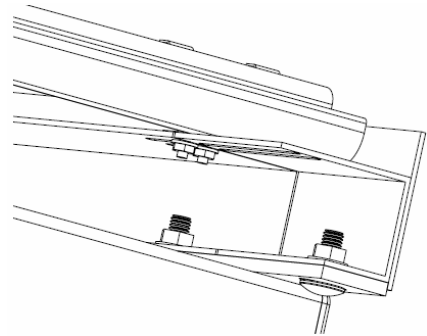
9. Before attaching Roof Panels, the underlying frame structure should be assembled as shown.



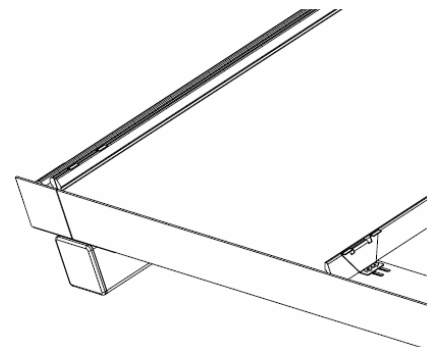
10. Tape the ends of the Roof Panels with Metallic Tape. Trim the tape. Starting at one end, place a Roof End Panel so that it bottoms out against the Bottom Purlin. The edge of the Roof End Panel should be in line with the centerline of the Truss. Clamp the Roof End Panel to the structure to the structure with a Roof Mounting Bracket. Use the 10-24" x 0.50 Flat Head Cap Screws, Washers, and Nuts to mount the Roof Mounting Brackets to the Purlins.



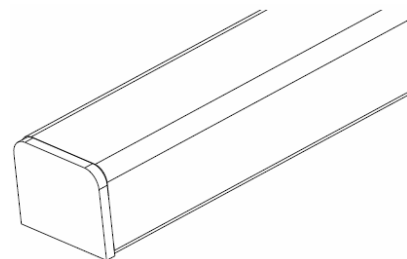
11. Verify that the Purlin connections are being completed as shown.



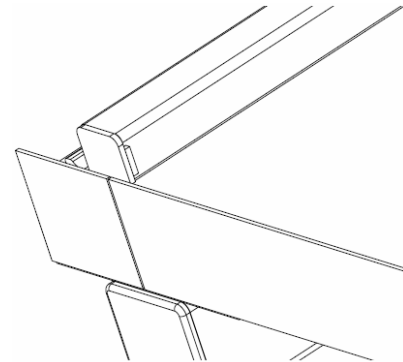
12. Slide a Roof Panel into the open edges of the Roof Mounting Brackets.



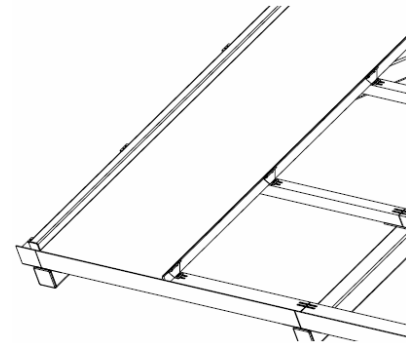
13. Insert a Roof Panel Connector End Cap into one end of a Roof Panel Connector. Use polycarbonate-compatible adhesive if necessary.



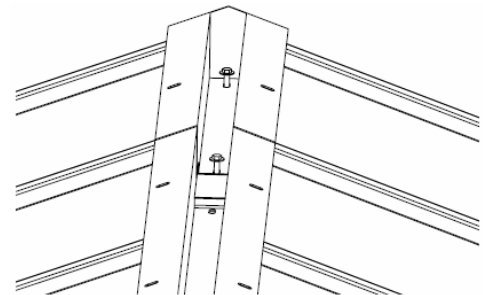
14. Snap a Roof Panel Connector over the exposed plastic joint. If the connector does not snap easily into place, use a rubber mallet and pound it in place. The Roof Panel Connector End Cap should bottom out against the Bottom Purlin.



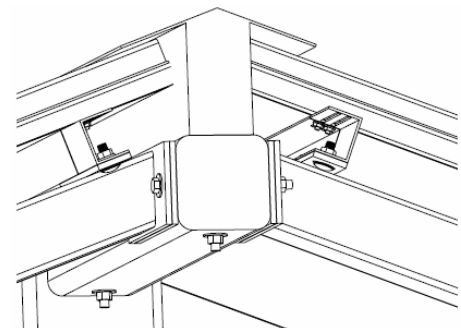
15. Clamp the other side of the Roof Panel to the Purlins with Roof Mounting Brackets. Repeat this process until all Roof Panels and Roof End Panels are installed.



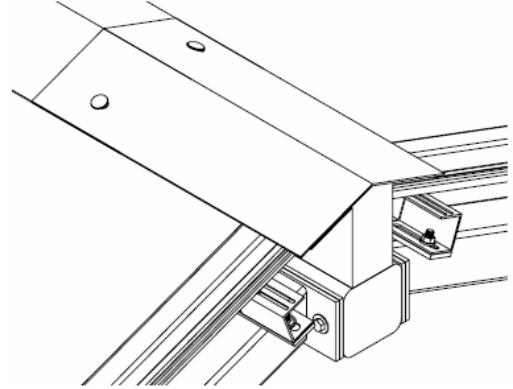
16. Install the Roof Cap Mounting Brackets and Roof End Cap Mounting Brackets on top of the frame with 3/8" x 5.75" Hex Head Cap Screws, Washers, and Nuts as shown.



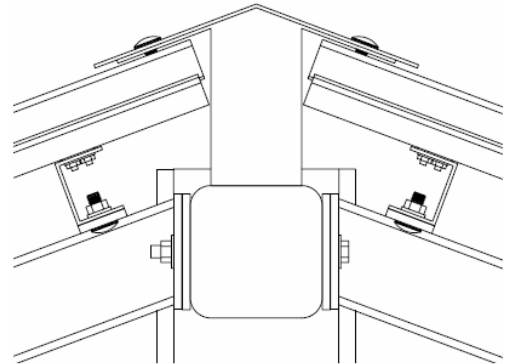
17. Verify that the Roof Cap Mounting Bracket and Roof Cap End Mounting Brackets are secured as shown.



18. Place the Roof Cap and Roof End Caps on top of the Roof Cap Mounting Bracket and Roof End Cap Mounting Brackets. Connect with 3/8" x 1.00 Carriage Bolts and Flange Nuts. The heads of the Carriage Bolts should be facing up.



19. View showing the Truss-to-Upright connection, Purlin-to-Truss connection, Roof Panel-to-Purlin connection, and Roof Cap-to-Roof Cap Mounting Bracket connection.



20. Complete Kolo Shelter.

