

Kolo Shelter

Materials: Uprights: 6" x 1/4" square tube.
 Feet: 1/2" plate.
 Horizontal Members: 4" x 5/16" square tube.
 Roof Panels: Modular, co-extruded 2' wide polycarbonate.
 Roof Frame: 3" x 11 gauge square tube.

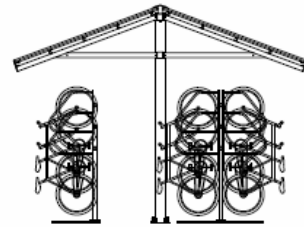
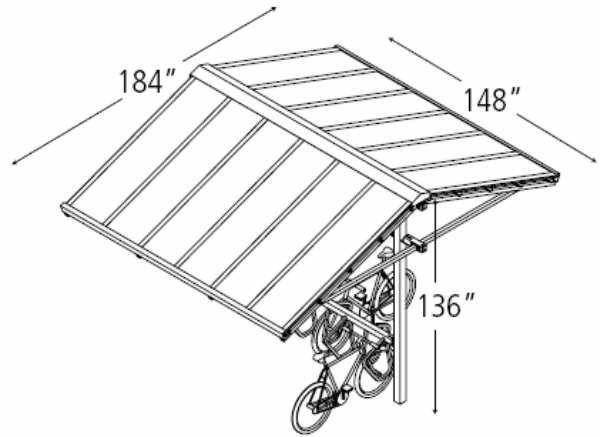
Finishes: Galvanized, Thermoplastic Coating, Powder Coat for color options.

Installation Methods: Surface mount has 12" square feet which must be anchored to the ground with supplied anchors.

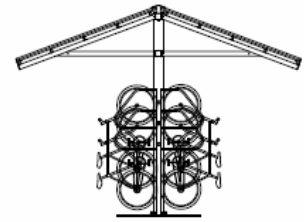
Space Use and Setbacks: Consult local building codes for acceptable setbacks and placement.

Load Data: Dead load = self weight of structure
 Live load = 40 psf
 Wind load = 90 mph exposure B
 Seismic load = moderate
 Anchors: 1" diameter x 12" bolt Wedge
 Simpson Strong – Anchors.

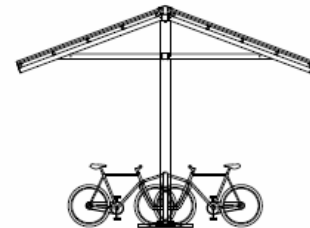
Capacity: See diagrams to the right for various configurations.
 The Kolo Shelter is fully modular in design. Add-on units are available to accommodate your bike parking capacity needs.



3 Rows Ultra Space Savers: 24 Bikes



2 Rows Ultra Space Savers: 10 Bikes



Campus Racks: 9 Bikes

