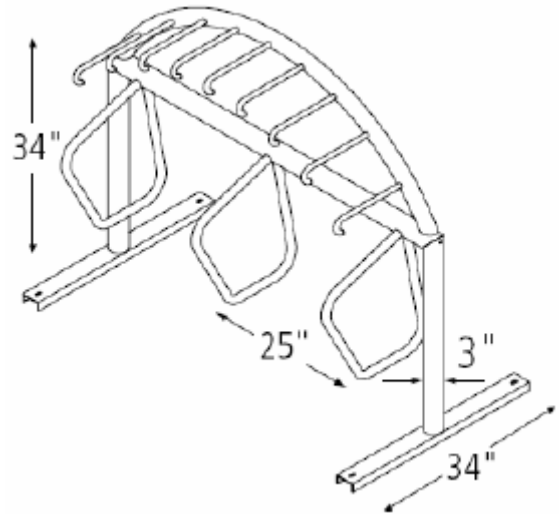


Mountain Rack

- Capacity:** 3-13 Bikes, 16-80 skis/boards
Single or Double Sided
- Materials:** Centerbeam- 3" OD 7 gauge tube
Ears- 1.25" OD 11 gauge tube
Ski Holders- 0.75" solid bar
All welds to be continuous MIG welds
- Finish:** Galvanized, Stainless Steel, Powder Coat, or Thermoplastic Coating
- Install:** Freestanding, surface, or in-ground



MOUNT-S3
64"
Parks 3-5 Bikes or 16 skis

MOUNT-S4
89"
Parks 4-6 Bikes or 24 skis

MOUNT-S5
114"
Parks 5-7 Bikes or 32 skis

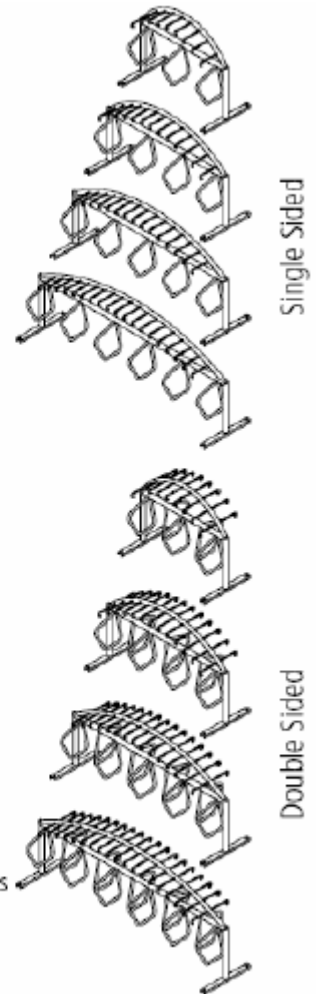
MOUNT-S6
139"
Parks 6-8 Bikes or 40 skis

MOUNT-D5
64"
Parks 5-7 Bikes or 32 skis

MOUNT-D7
89"
Parks 7-9 Bikes or 48 skis

MOUNT-D9
114"
Parks 9-11 Bikes or 64 skis

MOUNT-D11
139"
Parks 11-13 Bikes or 80 skis



Single Sided

Double Sided