

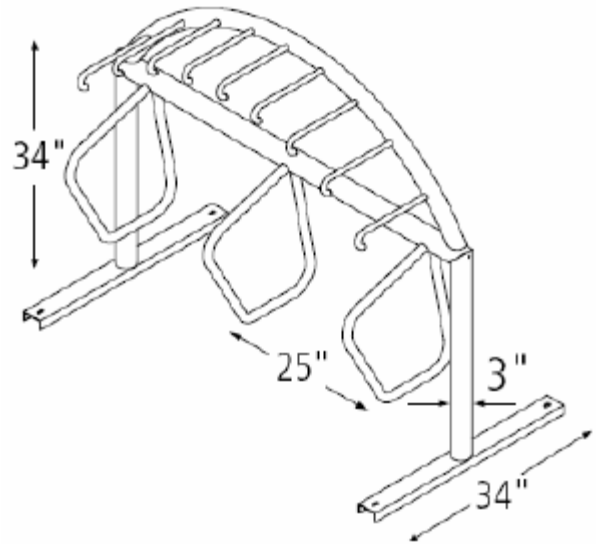
## Mountain Rack - Surface Installation

### Tools Needed:

Tape Measure  
Marker or Pencil  
Masonry Drill Bit 3/8"  
Drill (Hammer drill recommended)  
Hammer  
Wrench 9/16"

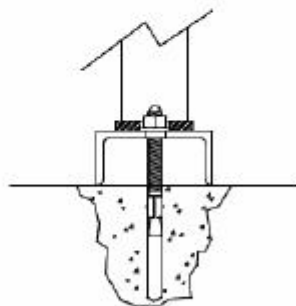
### Recommended Base Materials:

For freestanding units, nearly any level surface is acceptable, and no anchoring is necessary. For anchored units, a concrete base is best.

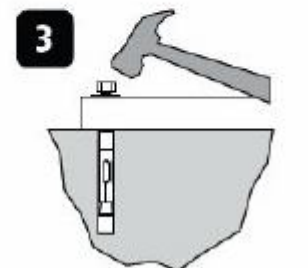
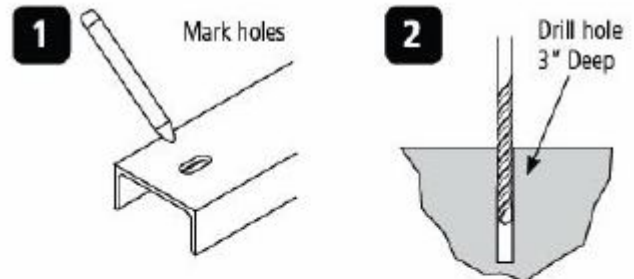


### Installation:

3/8" anchors are included with the rack. Be sure nothing is underneath the base material that can be damaged by drilling. Place the rack in the desired location. Use a marker or pencil to outline the holes of the flange onto the base material. Drill the holes in accordance with the specifications included. Make sure the holes are at least 6" away from any cracks in the base material. The anchors are fairly long because they run 1.5" through the foot channel and 2.5" into the ground. Tap in anchors and follow the specific instructions included with your anchors.



*Wedge Anchor  
Runs through flange  
and into concrete*



*(Anchors will vary according  
to install surface)*