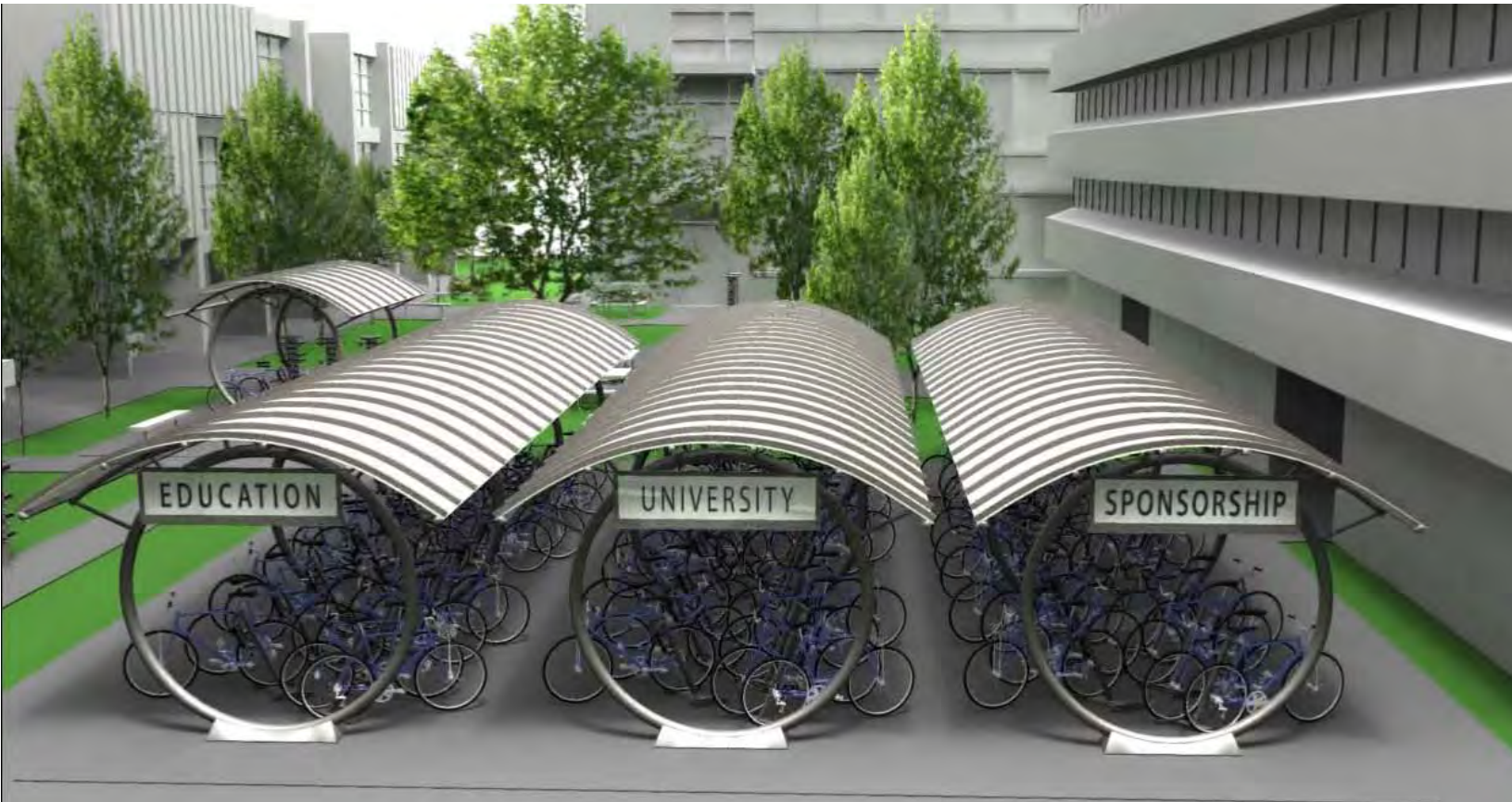


# Park **a** Bike

smart racks | smart solutions

The Oasis Outdoor Shelter



### FEATURES AT A GLANCE

- State-of-the-art design
- Polycarbonate, translucent roof keeps bikes and boards dry, but can let in light on a sunny day
- Durable steel frame construction to withstand harsh outdoor conditions
- Available in multiple standard and custom sizes to fit almost any outdoor space
- Design allows for one or two rows of bikes as well as additional parking as bikes can be locked to the frame of the shelter itself
- 2 part epoxy finish, galvanized or stainless steel options
- Optional 3S solar block coating for additional UV protection
- Installed on site by Park-a-Bike
- Roof is available in several different translucent color options



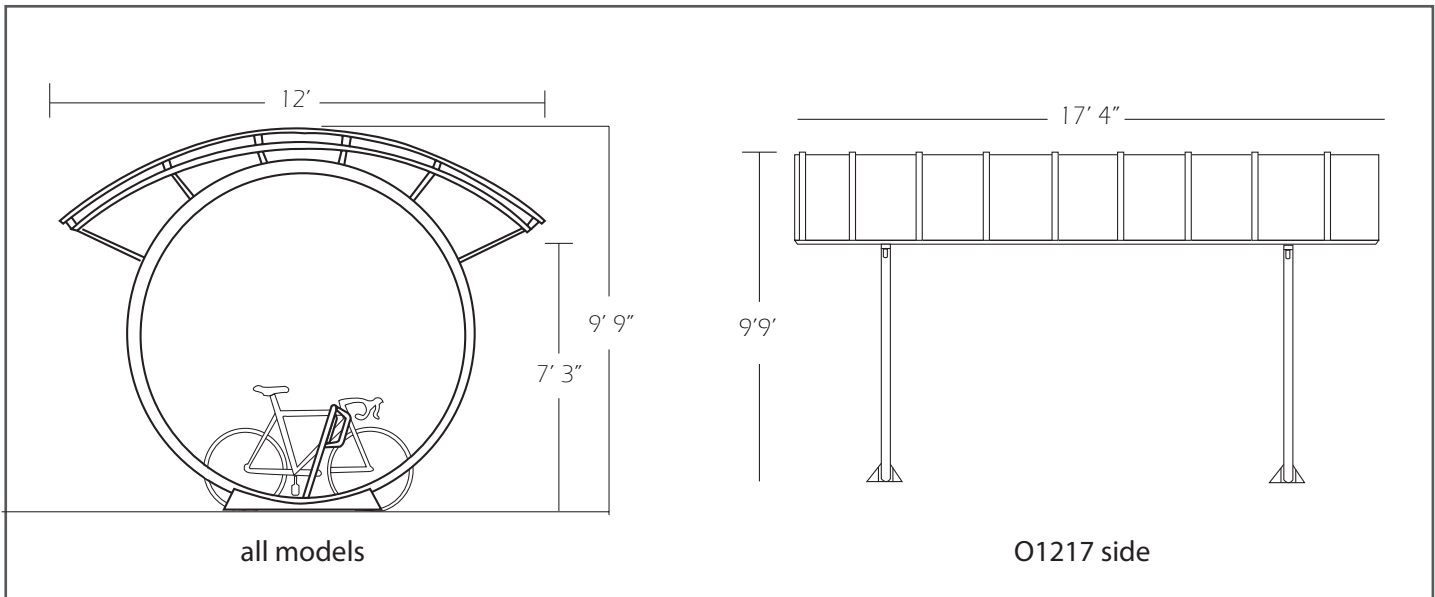
### The Oasis Series



Our Oasis series outdoor shelters are designed to be mounted to a concrete surface with the provided flange, and can be customized to fit almost any space where shelters are needed.

SKU	# of racks	Dimensions	Mount	Finish Options
O1217	*3-6	12'x17'	Surface	Galvanized, Stainless Steel
O1229	*8-16	12'x29'	Surface	Galvanized, Stainless Steel
O1241	*12-24	12'x41'	Surface	Galvanized, Stainless Steel

\*These capacities are based on the footprint of the Varsity Bike Dock



# Product Options

### MATERIALS

**Roof:** 8mm translucent polycarbonate PCSS

**Structure:** heavy gauge steel framing

**Hardware:** 5/8" x 4" embed stainless steel wedge anchor bolt (4 per mounting plate)

Thick stainless steel anchor plate, grade 309 alloy

### FINISHES

#### Galvanized

A zinc oxide coating protects from elements that can lead to oxidation, corrosion and rust that can cause the eventual weakening of the steel.

#### Stainless Steel

Stainless steel does not stain, rust, or corrode as easily as ordinary steel.

### MOUNTING

#### Surface Mount

Mounts your shelter to a concrete surface with a flange plate and four wedge anchors.

### CUSTOMIZING

We offer opal, clear, bronze, green or blue colors for roofing options.

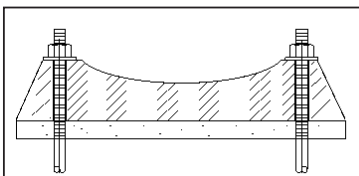
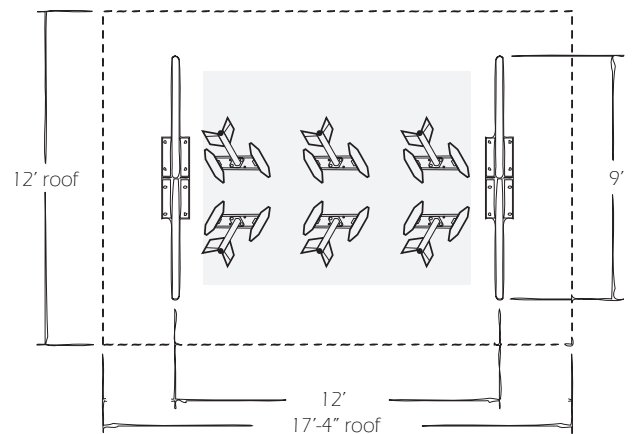
Almost any size shelter can be designed for different available spaces.

Logos, mascots, messaging, and sponsorship can be laser cut into the shelter for an additional cost.

Oasis  
O1217



Oasis  
O1241



Surface Mount



overhead

### STANDARD SIZES

12' x 17' can hold 3-6 two bike capacity racks

12' x 29' can hold 8-16 two bike capacity racks

12' x 41' can hold 12-24 two bike capacity racks

*\*Custom sizes are available. These capacities are based on the footprint of the 2 bike Varsity Bike Dock*