

Park **a** Bike

smart racks | smart solutions

The Parachute Outdoor Shelter



FEATURES AT A GLANCE

- State of the art design
- Polycarbonate, translucent roof keeps bikes and boards dry, but can let in light on a sunny day
- Durable steel frame construction to withstand harsh outdoor conditions
- Available in multiple standard and custom sizes to fit almost any outdoor space
- Design allows for one or two rows of bikes as well as additional parking as bikes can be locked to the frame of the shelter itself
- Galvanized or stainless steel structure finish options
- Optional 3S solar block coating for additional UV protection
- Installed on site by Park-a-Bike
- Roof is available in several different translucent color options



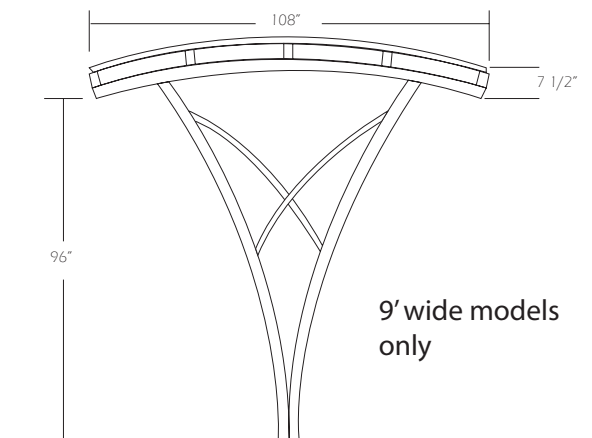
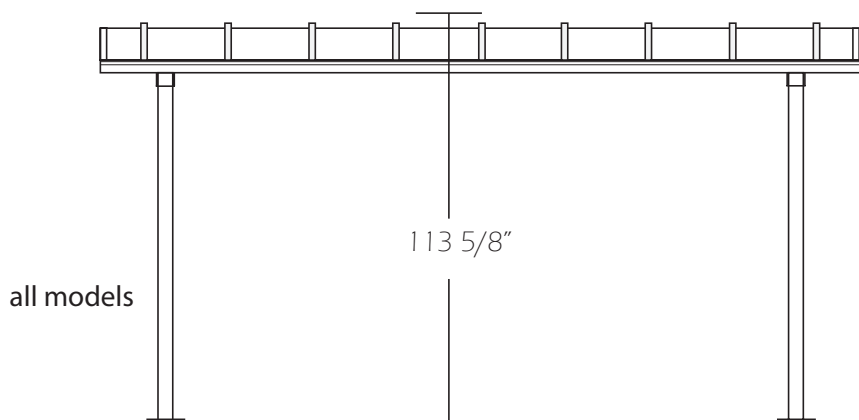
The Parachute Series



Our Parachute series outdoor shelters are designed to be mounted to a concrete surface with the provided flange or embedded in ground, and can be customized to fit almost any space where shelters are needed.

Model	*Max # of Racks	Max # of Bikes	Finish Options	Dimensions
P68	2	4	Galvanized/Stainless Steel	6'x8'x10"
P88	3	6	Galvanized/Stainless Steel	8'x8'x10"
P812	5	10	Galvanized/Stainless Steel	12'x8'x10"
P818	6	12	Galvanized/Stainless Steel	18'x8'x10"
P824	7	14	Galvanized/Stainless Steel	24'x8'x10"
P912	5	10	Galvanized/Stainless Steel	12'x9'x10"
P918	6	12	Galvanized/Stainless Steel	18'x9'x10"
P924	7	14	Galvanized/Stainless Steel	24'x9'x10"
P930	10	20	Galvanized/Stainless Steel	30'x9'x10"

*Based on the footprint of the Varsity Bike Dock



Product Options

MATERIALS

Roof: 8mm translucent polycarbonate PCSS

Structure: heavy gauge steel framing

Hardware: 5/8" x 4" embed stainless steel wedge anchor bolt (4 per column)
1/2" thick stainless steel anchor plate, grade 309 alloy

FINISHES

Galvanized

A zinc oxide coating protects from elements that can lead to oxidation, corrosion and rust that can cause the eventual weakening of the steel.

Stainless Steel

Stainless steel does not stain, rust, or corrode as easily as ordinary steel.

MOUNTING

Surface Mount

Mounts your shelter to a concrete surface with a flange plate and four wedge anchors.

In Ground Mount

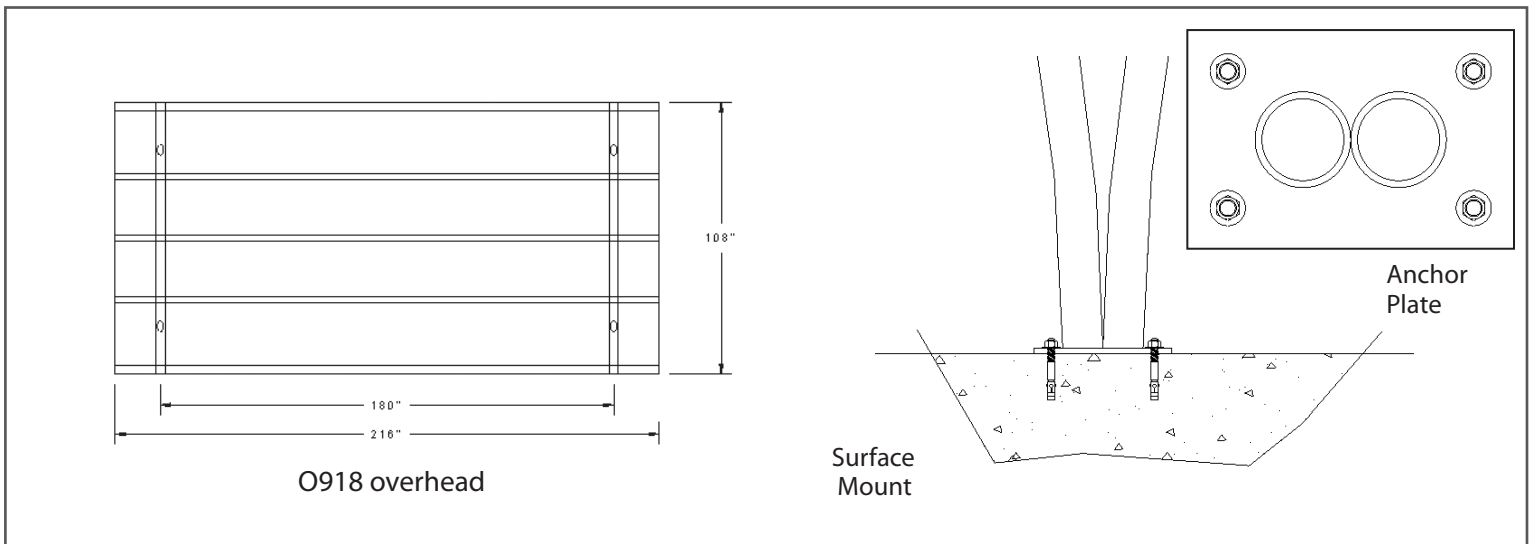
An in-ground mount is embedded into a concrete base using a combination of cement and gravel.

CUSTOMIZING

We offer opal, clear, bronze, green or blue colors for roofing options.

Almost any size shelter can be designed for different available spaces.

Logos, mascots, messaging, and sponsorship can be laser cut into the shelter for an additional cost.



STANDARD SIZES

- | | | |
|-------------------------------------|-------------------------------------|-------------------------------------|
| 6' x 8' \leq 4 bikes | 8' x 18' \leq 12 bikes | 9' x 18' \leq 12 bikes |
| 8' x 8' \leq 6 bikes | 8' x 24' \leq 14 bikes | 9' x 24' \leq 14 bikes |
| 8' x 12' \leq 10 bikes | 9' x 12' \leq 10 bikes | 9' x 30' \leq 20 bikes |

**Custom sizes are available. Number of bikes based on the footprint of the Varsity Bike Dock.*