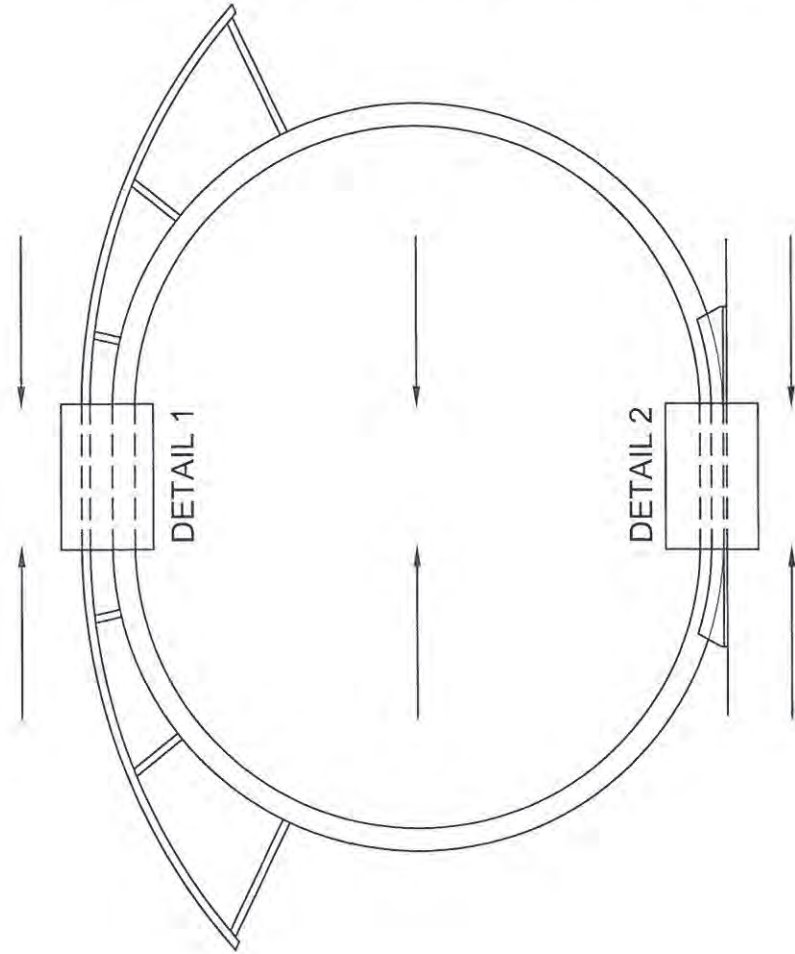
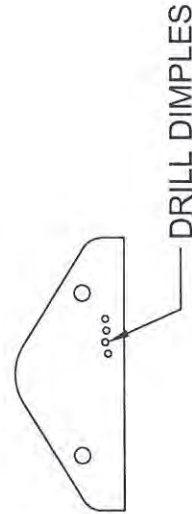


PARKABIKE INC.
INSTALLATION INSTRUCTIONS
OASIS BIKE SHELTER
PARK A BIKE / MARRIOTT
DECEMBER 14, 2011



ASSEMBLY DIAGRAM



INSTALLATION INSTRUCTIONS

- BRING (2) HALVES TOGETHER AS SHOWN IN THE DIAGRAM TO THE RIGHT. EACH HALF HAS ITS OWN MATE. THEY ARE LABELED INSIDE THE BOTTOM PLATE WITH DRILL DIMPLES. THERE ARE 1 THRU 4 DIMPLES ON EACH HALF. (1) GOES WITH (1) AND SO ON.
- ALIGN BOTTOM PLATES TOGETHER AS SHOWN AND REFER TO DETAIL 2. JOIN HALVES TOGETHER WITH (2) 3/4" X 2 1/2" LONG BOLTS, NUT AND WITH A WASHER ON EACH SIDE.
- CONTINUE BY ALIGNING TOP PLATES TOGETHER AS SHOWN AND REFER TO DETAIL 1. JOIN HALVES TOGETHER WITH (2) 5/8" X 1 1/2" LONG BOLTS AND NUT, NO WASHERS.
- ONCE 2 FRAMES ARE FASTENED TOGETHER, SPACE APPROX. 12 FEET APART FOR PURLIN ATTACHMENT.
- REFER TO DETAIL 1 FOR PURLIN ATTACHMENT USING (1) 1/2" X 3/4" BOLT PER LOCATION.
- AFTER ALL PURLINS ARE ATTACHED, MOVE THE SHELTER TO IS FINAL INSTALLATION LOCATION. PLUMB AND SQUARE UP BOTH "HOOPS" AND ALL RAFTERS. ONCE THIS STEP IS COMPLETE, FOLLOW THE INSTALLATION OF THE ANCHOR BOLT LAYOUT FOR THE PERMANENT INSTALLATION OF THE SHELTER.

THIS DRAWING IS PROPRIETARY AND FOR THE SOLE USE OF OUR CUSTOMER AND MAY NOT BE COPIED OR REPRODUCED WITHOUT PRIOR WRITTEN CONSENT FROM PARKBIKE INC. LEAD TIME BEGINS UPON RECEIPT OF SIGNED SHOP DRAWINGS

APPROVAL SIGNATURE _____ DATE _____
 X _____

PROJECT NAME
 OASIS SHELTER HEAVY LOAD

DESCRIPTION
 INSTALLATION INSTRUCTIONS

PJT MGR
 ED

DRWG DATE
 7/22/2010

CHKD BY

DATE

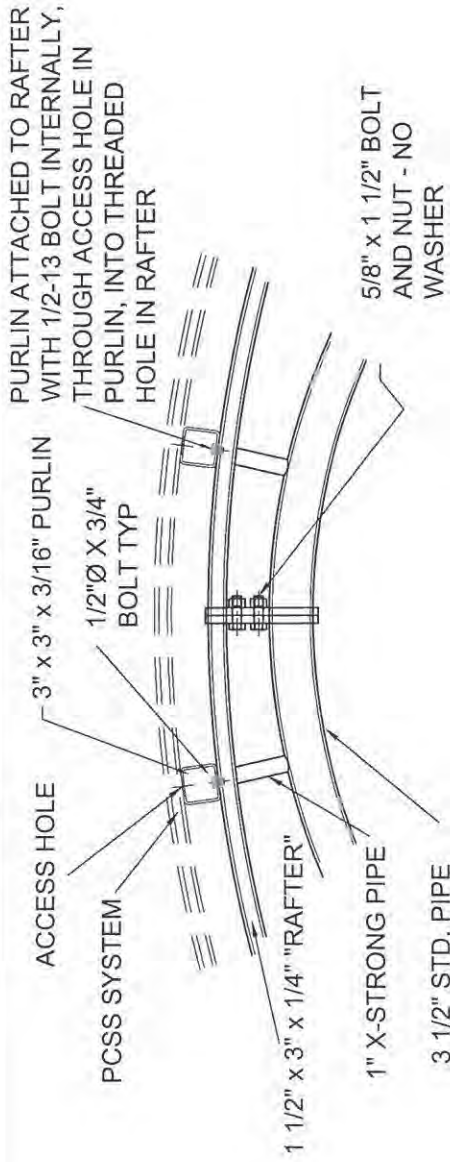
QUANTITY
 SCALE
 N.T.S

SHELTER COLOR
 PAGE 1 OF 2

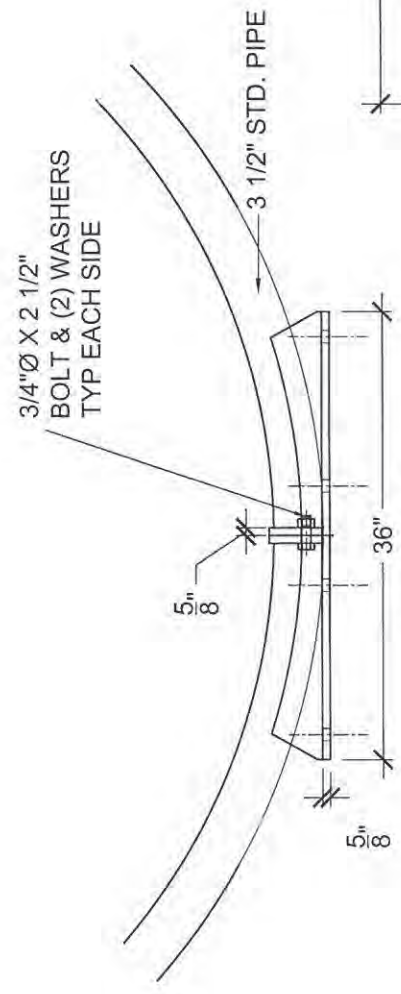
ROOF COLOR
 DRWG # 9539

Park a Bike
 smart racks | smart solutions

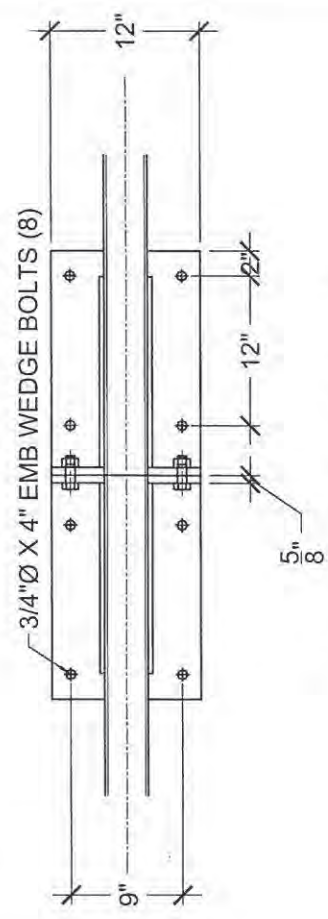
T: 800 630-7225 F: 866-532-9049
 WWW.PARKBIKE.COM



DETAIL 1

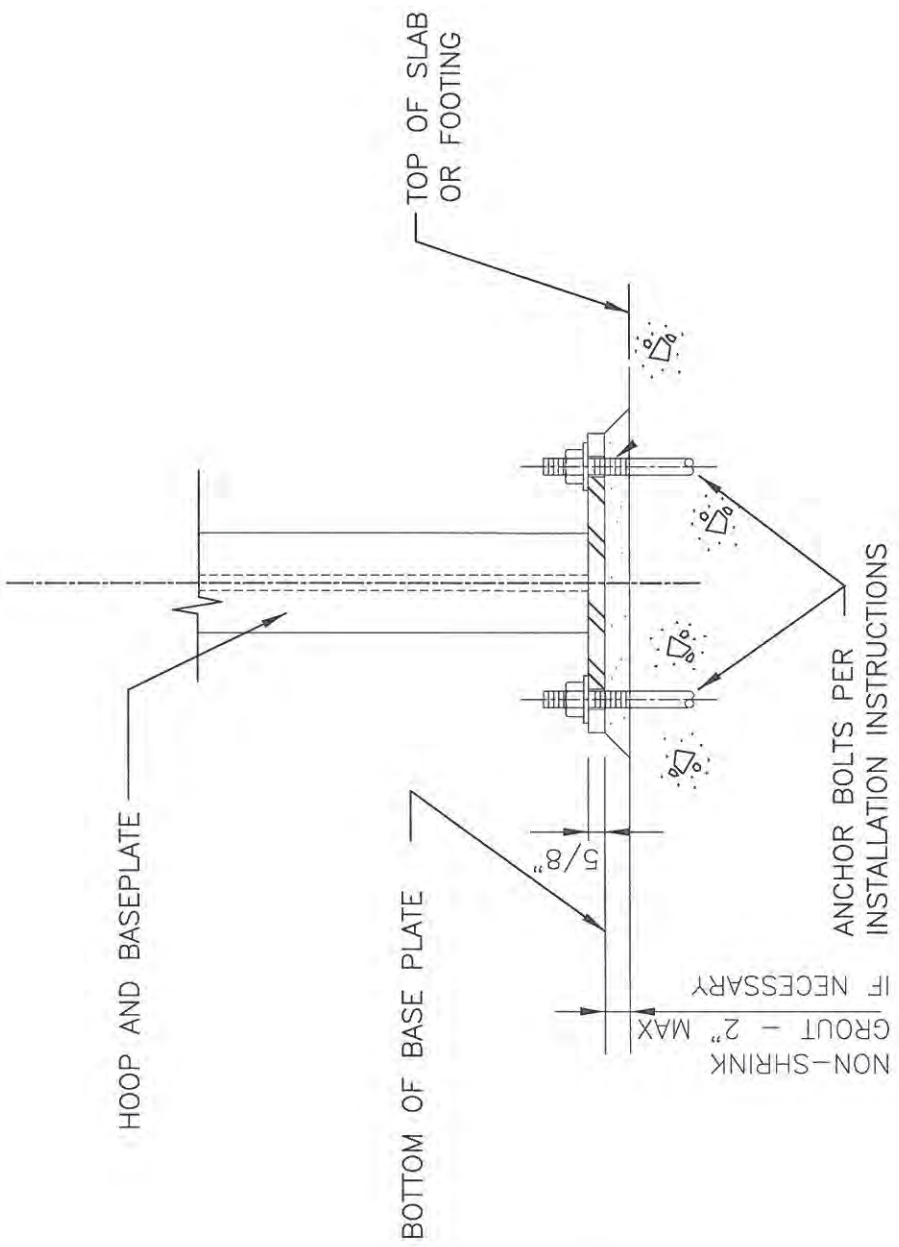


DETAIL 2



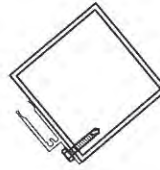
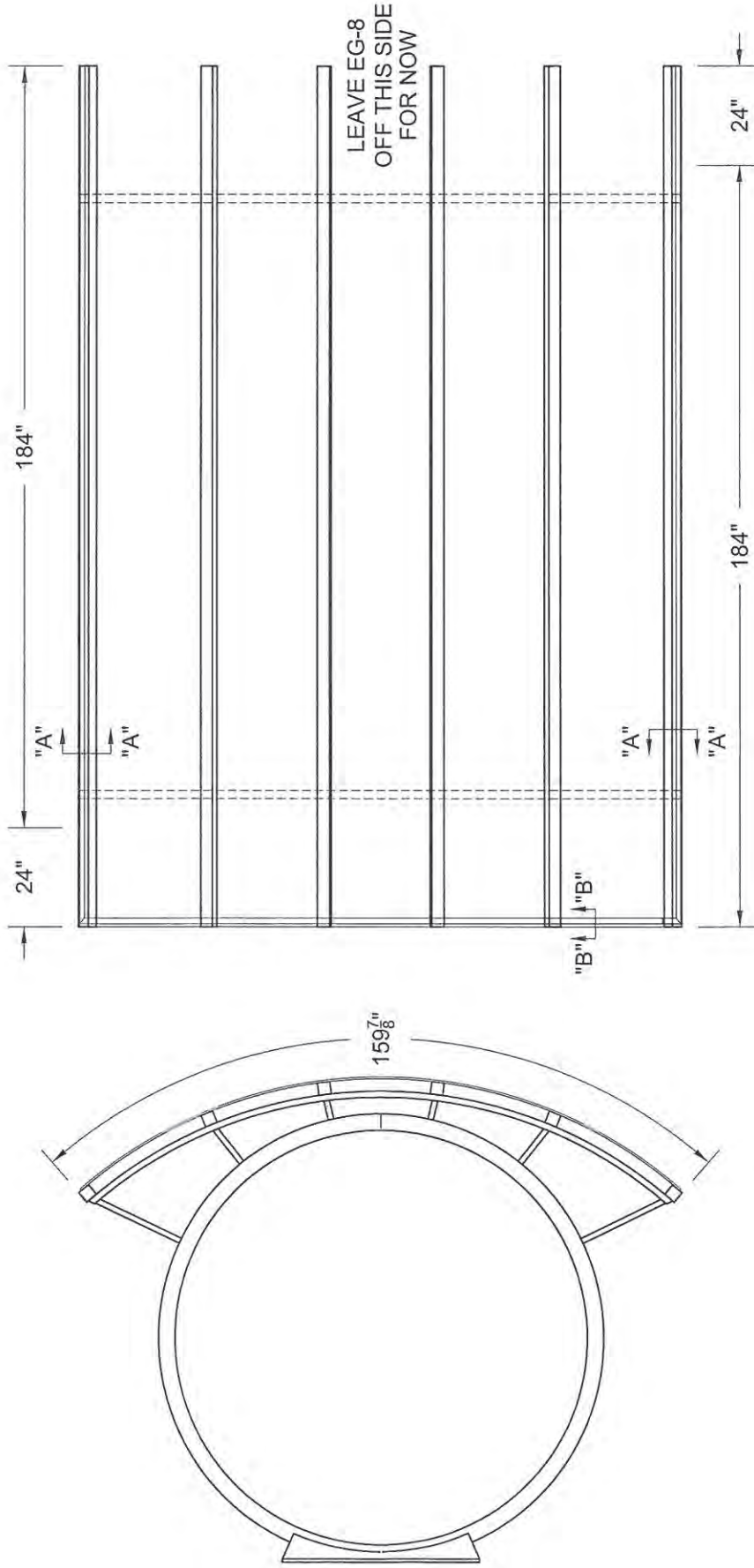
ANCHOR BOLT LAYOUT

Park a Bike smart racks smart solutions T: 800 630-7225 F: 866-532-9049 WWW.PARKABIKE.COM	THIS DRAWING IS PROPRIETARY AND FOR THE SOLE USE OF OUR CUSTOMER AND MAY NOT BE COPIED OR REPRODUCED WITHOUT PRIOR WRITTEN CONSENT FROM PARKABIKE INC. LEAD TIME BEGINS UPON RECEIPT OF SIGNED SHOP DRAWINGS		PROJECT NAME OASIS SHELTER HEAVY LOAD		QUANTITY N.T.S.	SHEETER COLOR OF 2	ROOF COLOR DRWG# 9539
	APPROVAL SIGNATURE X _____	DATE _____	DESCRIPTION INSTALLATION INSTRUCTIONS	INST. DATE 7/22/2010	CHKD BY ED	SCALE N.T.S.	PAGE 2



BASE PLATE DETAIL

Park a Bike smart racks smart solutions T: 800 630-7225 F: 866-532-9049 WWW.PARKABIKE.COM	THIS DRAWING IS PROPRIETARY AND FOR THE SOLE USE OF OUR CUSTOMER AND MAY NOT BE COPIED OR REPRODUCED WITHOUT PRIOR WRITTEN CONSENT FROM PARKABKE INC. LEAD TIME BEGINS UPON RECEIPT OF SIGNED SHOP DRAWINGS		PROJECT NAME BASEPLATE INSTALLATION DETAIL		QUANTITY SHEETER COLOR ROOF COLOR		
	APPROVAL SIGNATURE X _____	DATE _____	DESCRIPTION 1 BIKE SHELTER WORK	DRWG DATE 8/16/2010	CHKD BY ED	SCALE N.T.S.	
			PRJT ENG RS	PRJT MGR ED	PAGE 1	OF 1	DRWNG # 9539



SECTION "A-A"



SECTION "B-B"

1) MOUNT EG-8 EDGE SASH TO STRUCTURE AS SHOWN. CUT TO FIT ALONG RADIUS AT LEFT EDGE. SECURE USING (1) #12 x1" TEK SCREW APPROX. EVERY 12" ON CENTER AT EAVES. SECURE AT EDGE USING (1) #12 x1" TEK SCREW AT EACH STRUCTURAL MEMBER.

Park a Bike
 smart racks | smart solutions

T: 800-630-7225 F: 866-532-9049
 WWW.PARKBIKE.COM

THIS DRAWING IS PROPRIETARY AND FOR THE SOLE USE OF OUR CUSTOMER AND MAY NOT BE COPIED OR REPRODUCED WITHOUT PRIOR WRITTEN CONSENT FROM PARKBIKE INC. LEAD TIME BEGINS UPON RECEIPT OF SIGNED SHOP DRAWINGS

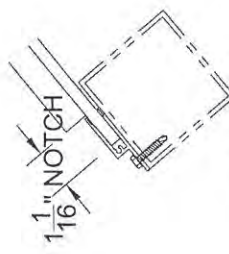
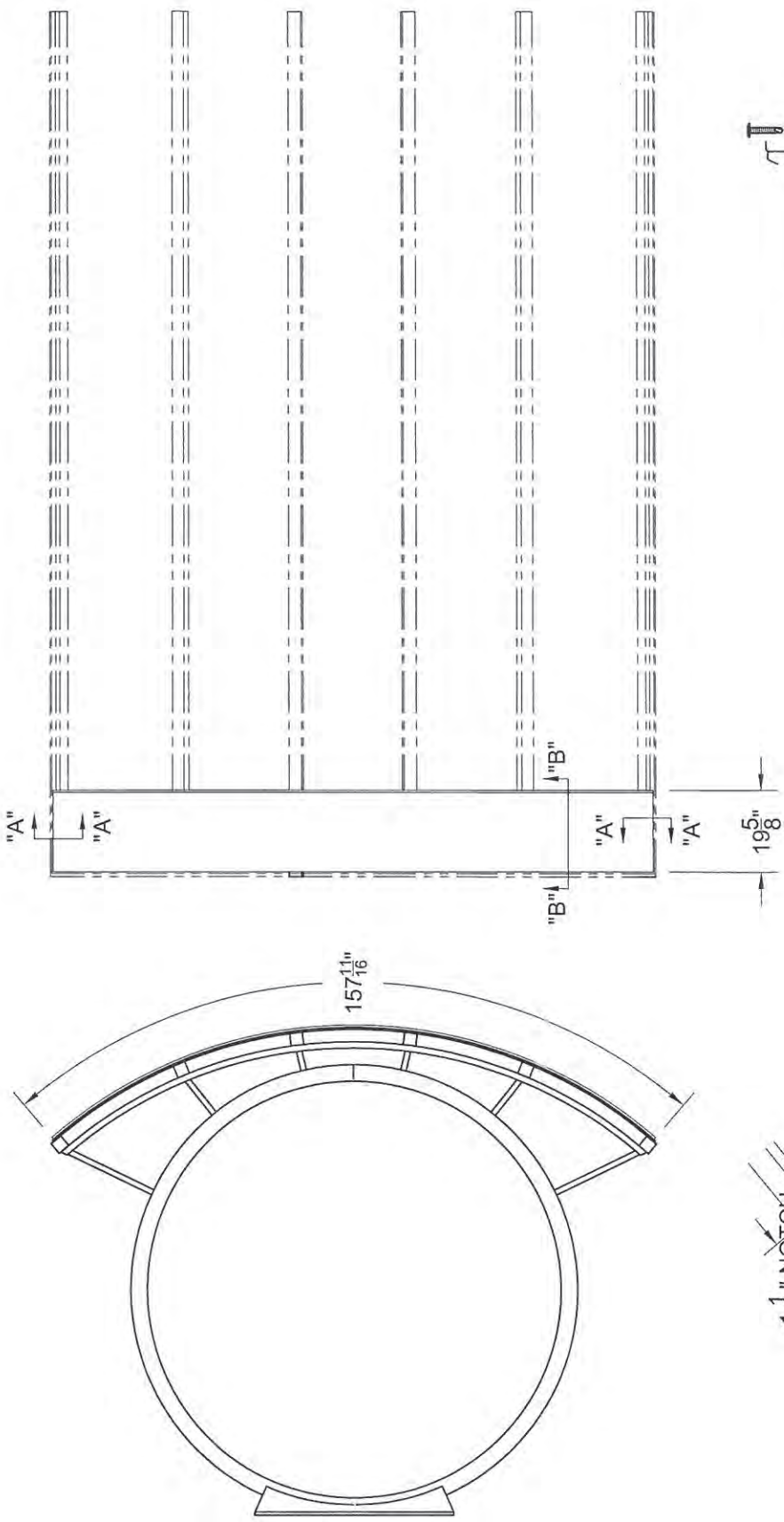
APPROVAL SIGNATURE _____ DATE _____
 X _____

PROJECT NAME
 OASIS - HEAVY LOAD

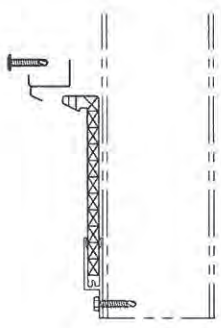
DESCRIPTION
 INSTALLATION INSTRUCTIONS

PRJT ENGR RS PRJT MGR ED DRWNG DATE 7/23/2010 CHKD BY DATE

QUANTITY	SHEETER COLOR	ROOF COLOR
SCALE	PAGE	OF
N.T.S.	1	5
INSTALL-1		



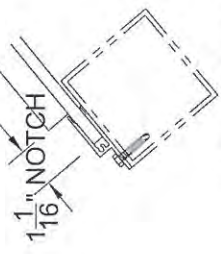
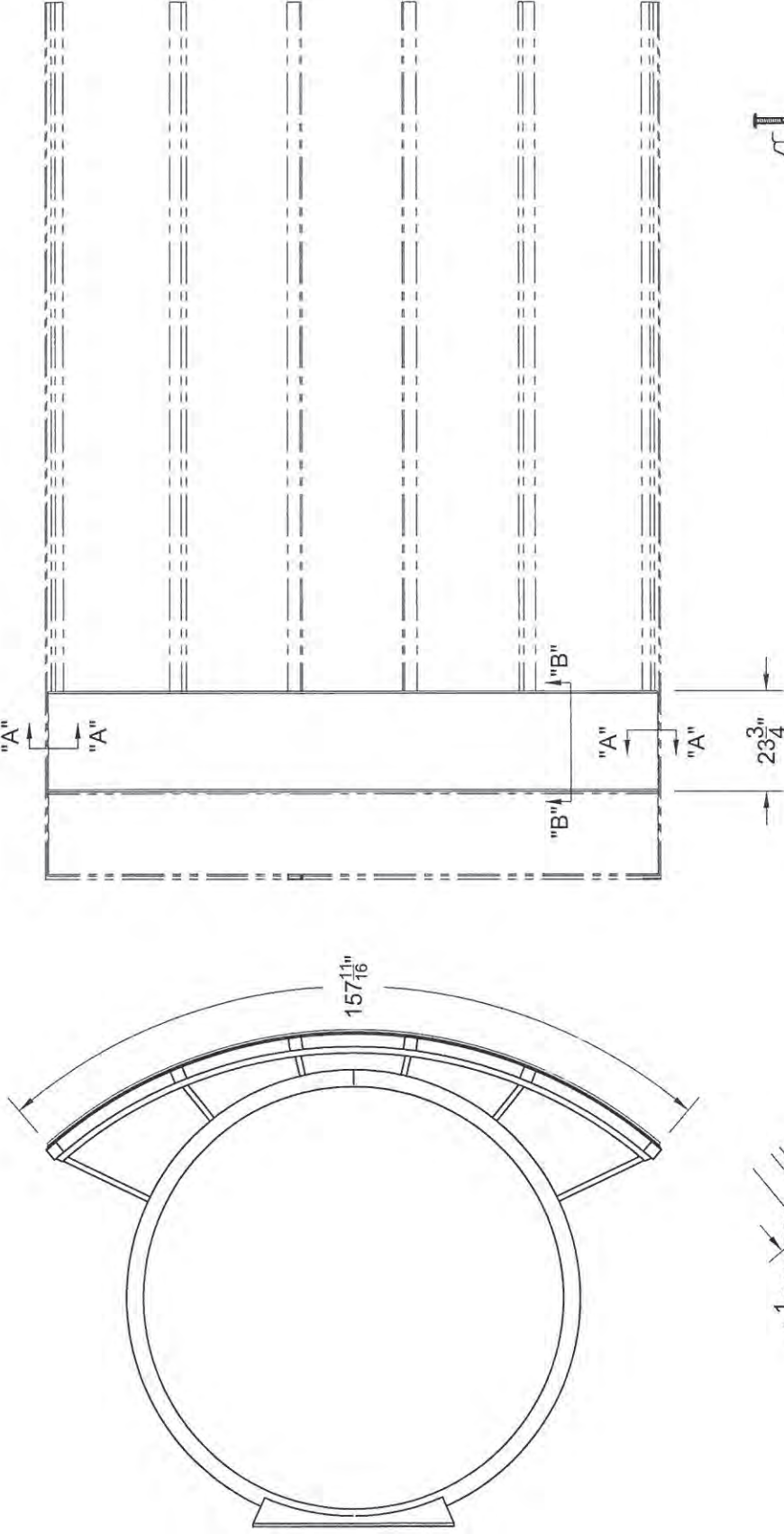
SECTION "A-A"



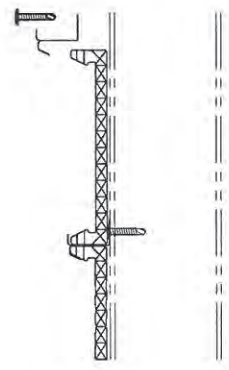
SECTION "B-B"

2) SLIDE 8mm PANEL INTO EG-8 SASH. SECURE PANEL AT RIGHT LEG USING (1) PANEL CLIP AND PAN HEAD TEK SCREW AT EACH STRUCTURAL MEMBER.

Park a Bike smart racks smart solutions T: 800.630.7225 F: 866.532.9049 WWW.PARKABIKE.COM		PROJECT NAME OASIS - HEAVY LOAD		QUANTITY N.T.S	SHELTER COLOR OF 2	ROOF COLOR DRWNG# 5
THIS DRAWING IS PROPRIETARY AND FOR THE SOLE USE OF OUR CUSTOMER AND MAY NOT BE COPIED OR REPRODUCED WITHOUT PRIOR WRITTEN CONSENT FROM PARKABIKE INC. LEAD TIME BEGINS UPON RECEIPT OF SIGNED SHOP DRAWINGS		DESCRIPTION INSTALLATION INSTRUCTIONS		SCALE N.T.S	DATE 7/23/2010	DRWNG# 5
APPROVAL SIGNATURE X _____	DATE / /	PRITMGR ED	CHKD BY ED	DRWG DATE 7/23/2010	PAGE 2	INSTALL-2



SECTION "A-A"

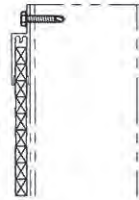
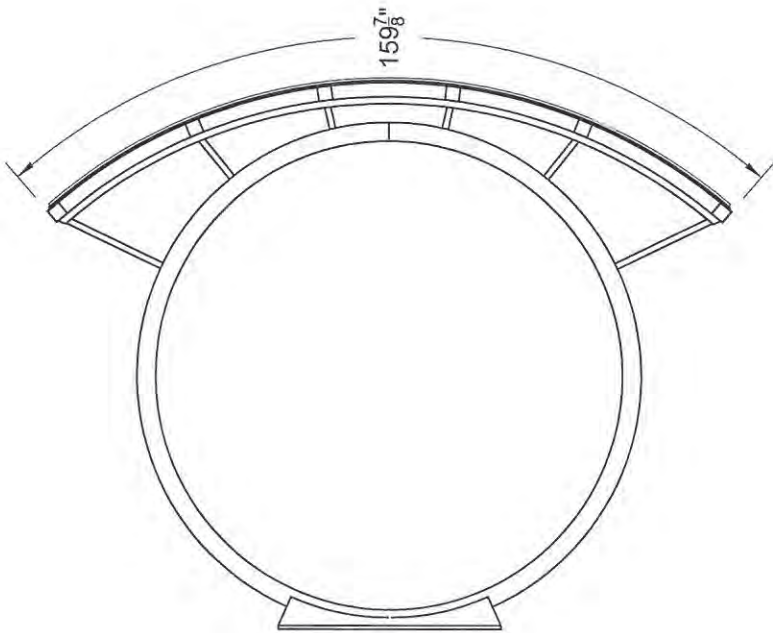


SECTION "B-B"

3) SLIDE NEXT PANEL INTO EG-8 SASH. SECURE PANEL AT RIGHT LEG USING (1) PANEL CLIP AND PAN HEAD TEK SCREW AT EACH STRUCTURAL MEMBER. CONTINUE INSTALLING PANELS ACROSS FULL LENGTH OF ROOF.

Park a Bike smart racks smart solutions T: 800-630-7225 F: 866-532-9049 WWW.PARKABIKE.COM		PROJECT NAME OASIS - HEAVY LOAD		QUANTITY	SHEETER COLOR	ROOF COLOR
DESCRIPTION INSTALLATION INSTRUCTIONS		DATE	CHKD BY	SCALE	PAGE	OF
APPROVAL SIGNATURE	DATE	DRWG DATE	7/23/2010	N.T.S.	3	5
X	/		ED			
		PRJ/ENG	RS			
		PRJ/MGR	ED			
		DRWG DATE	7/23/2010			
		CHKD BY				
		SCALE	N.T.S.			
		DATE				
		DRWG #				
		INSTALL	3			
		DRAWING #				
		IN-STALL	3			

THIS DRAWING IS PROPRIETARY AND FOR THE SOLE USE OF OUR CUSTOMER AND MAY NOT BE COPIED OR REPRODUCED WITHOUT PRIOR WRITTEN CONSENT FROM PARKABIKE INC. LEAD TIME BEGINS UPON RECEIPT OF SIGNED SHOP DRAWINGS



SECTION "A-A"

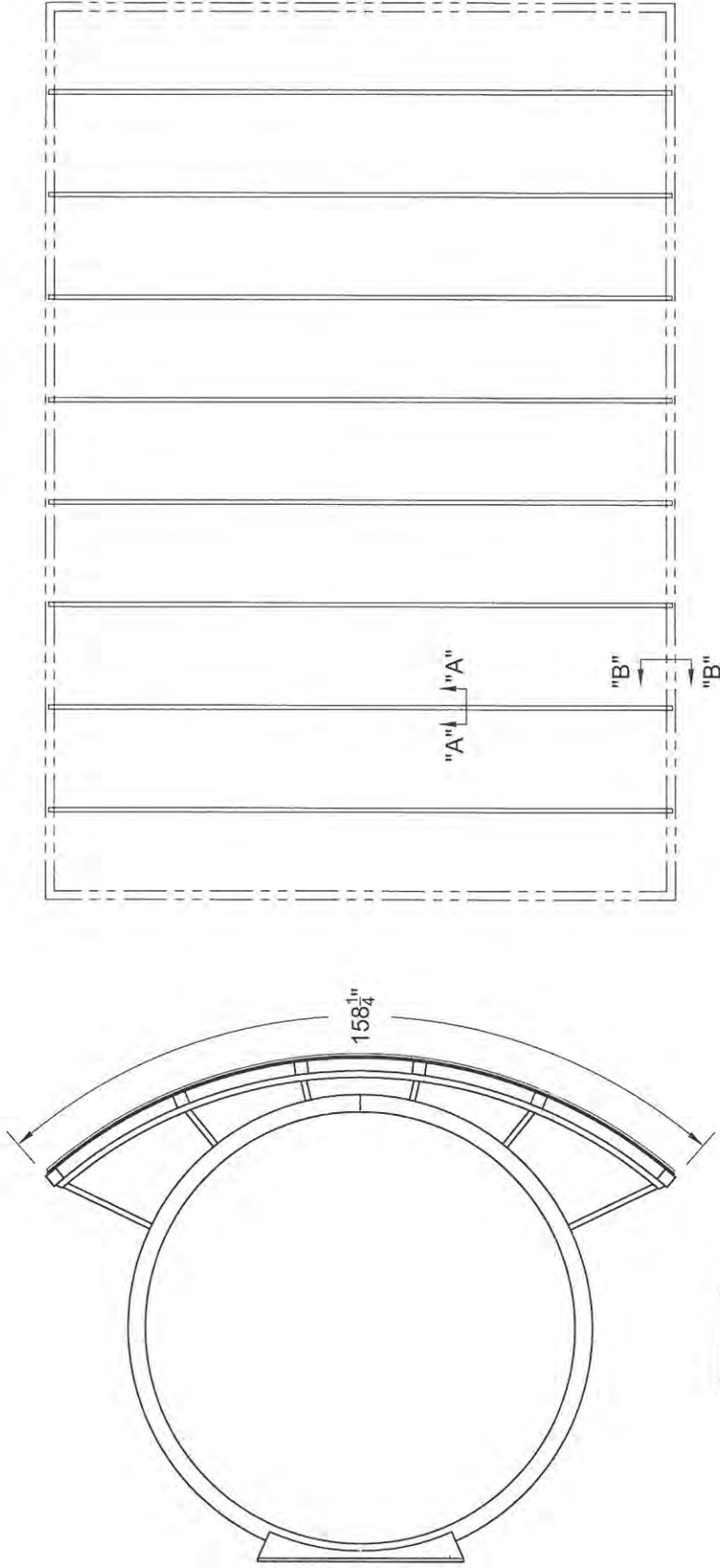
4) SLIDE EG-8 SASH OVER END PANEL SECURE USING (1) #12 x1" TEK SCREW AT EACH STRUCTURAL MEMBER.

THIS DRAWING IS PROPRIETARY AND FOR THE SOLE USE OF OUR CUSTOMER AND MAY NOT BE COPIED OR REPRODUCED WITHOUT PRIOR WRITTEN CONSENT FROM PARKBIKE INC. LEAD TIME BEGINS UPON RECEIPT OF SIGNED SHOP DRAWINGS

APPROVAL SIGNATURE _____ DATE _____
 X _____

Park a Bike
 smart racks | smart solutions
 T: 800 630-7225 F: 866-532-9049
 WWW.PARKBIKE.COM

PROJECT NAME		OASIS - HEAVY LOAD		ROOF COLOR
DESCRIPTION		QUANTITY	SHEETER COLOR	DRWG #
INSTALLATION INSTRUCTIONS		SCALE	PAGE	OF
PRJT ENGR	PRJT MGR	N.I.T.S	4	5
RS	ED	DATE	CHKD BY	INSTALL-4
		7/23/2010		



SECTION "A-A"

SECTION "B-B"

5) SNAP BATTENS ONTO PANELS. SNAP END CAP INTO BATTENS. CAULK ALL SEAMS IN CAPS AND AROUND BATTEN ENDS.

Park a Bike smart racks smart solutions T: 800.630.7225 F: 866.532.9049 WWW.PARKABIKE.COM		THIS DRAWING IS PROPRIETARY AND FOR THE SOLE USE OF OUR CUSTOMER AND MAY NOT BE COPIED OR REPRODUCED WITHOUT PRIOR WRITTEN CONSENT FROM PARKABIKE INC. LEAD TIME BEGINS UPON RECEIPT OF SIGNED SHOP DRAWINGS		PROJECT NAME OASIS - HEAVY LOAD		QUANTITY N.I.T.S		SHELTER COLOR OF 5 5		ROOF COLOR DRWG# INSTALL-5	
APPROVAL SIGNATURE X _____		DATE / /		DESCRIPTION INSTALLATION INSTRUCTIONS		SCALE N.I.T.S		DRWG DATE 7/23/2010		CHKD BY ED	