

Ski Rack SR-4R Installation

1

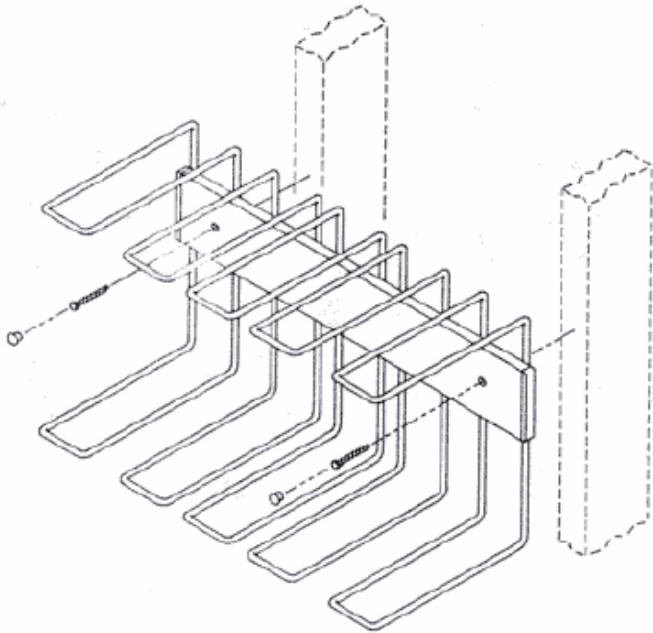
Positioning Your Rack For Installation

Locate Studs. This rack has been designed to be installed into studs 16" on center with provided wood screws. Determine height by taking your longest pair of skis, placing them into rack while holding rack against wall so that the toe piece of the binding is supported by lowest shelf, making sure that skis clear the floor.

Remove skis while holding rack in place, make sure rack is level and mark screw holes on wall thru front of channel.

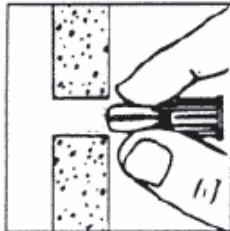
Remove rack from wall and drill 1/8" diameter pilot holes into studs. Align rack with screw holes and fasten to wall.

After rack has been securely fastened, snap hole plugs into place.

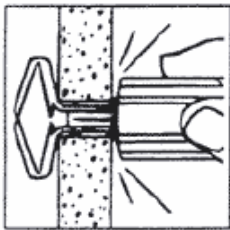


2a Hollow Wall Application

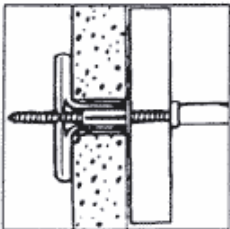
If no studs are located, use both provided mounting toggles.



1 Drill 5/16" hole, squeeze toggle wings flat and push into hole.

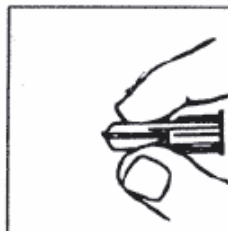


2 Top flush with wall.

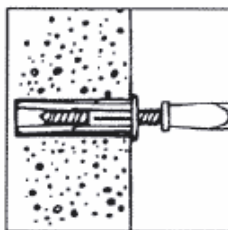


3 Put rack in place, insert screw(s) and tighten to secure.

2b Solid Wall Application



1 Drill 5/16" hole slightly deeper than toggle length.



2 Squeeze toggle wings flat. Insert and tap flush with wall.

3 Put rack in place, insert screw(s) and tighten to secure.

3 Storing Your Equipment

This rack is designed to hold up to (4) pair each skis and poles. Skis are hung by the binding toe piece. Insert skis through the wider slots at each end of rack so the toe piece is supported by the lower shelf. Poles are stored in the narrower slots in the center by placing handle grips above upper shelf.