

Park **a** Bike

smart racks | smart solutions

The SkateDock



PRODUCT CHART

	SkateDock
Board Friendly Containment	****
Density	****
Security	***
Space Saver	***
Simple and Intuitive	***
Finish Options	**
Cost Per Board	\$

KEY

*	Moderate	\$	+/- \$50 per board
**	Good	\$\$	+/- \$100 per board
***	Better	\$\$\$	+/- \$500 per board
****	Best	\$\$\$\$	+/- \$1000 per board

These ratings are based on an interior study conducted by our Engineers and Designers.

FEATURES AT A GLANCE

- Designed to mount to a floor or wall surface
- Available in 6 and 10 single sided models and 12 and 20 double sided models
- Able to hold both long boards and skateboards
- Hammer tone powder coat finish is our standard finish option to protect from harsh outdoor climates
- Rings allow for easy locking of all kinds of boards
- The racks allow multiple locking options, including pad lock, U-lock, or a short cable lock
- Some assembly required
- Ideal for schools, malls and skate parks

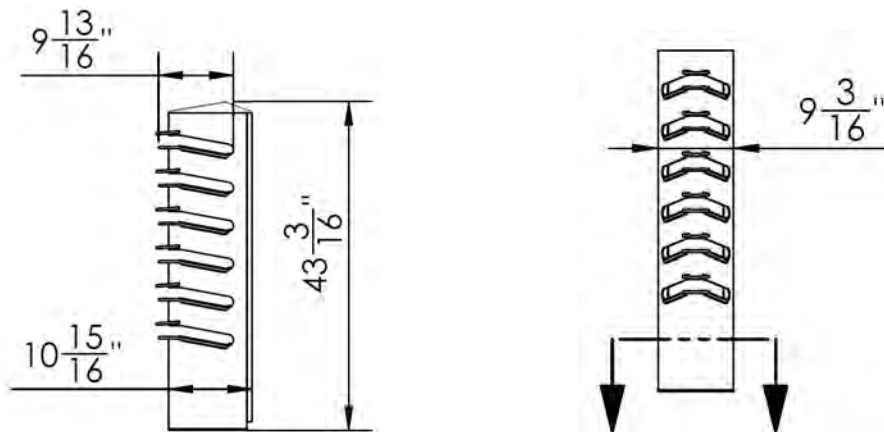


The SkateDock WM Series



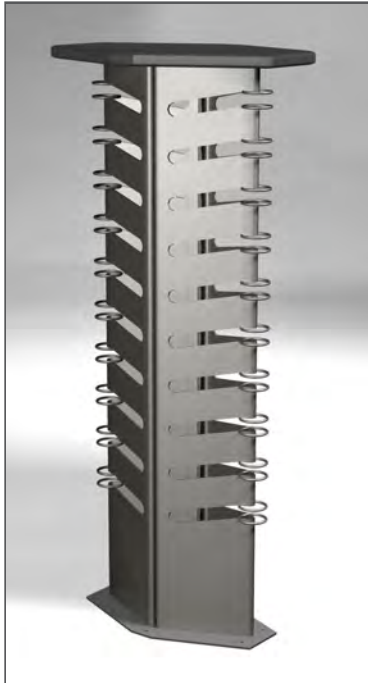
Our WM series docks are designed to be mounted to a wall using 6 masonry anchors 3/8" in diameter going to the wall for a secure and space saving unit.

SKU	Capacity	Sided	Mount	Finish Options
WM-6	6	Single	Wall	Hammer Tone Powder Coat
WM-8	8	Single	Wall	Hammer Tone Powder Coat



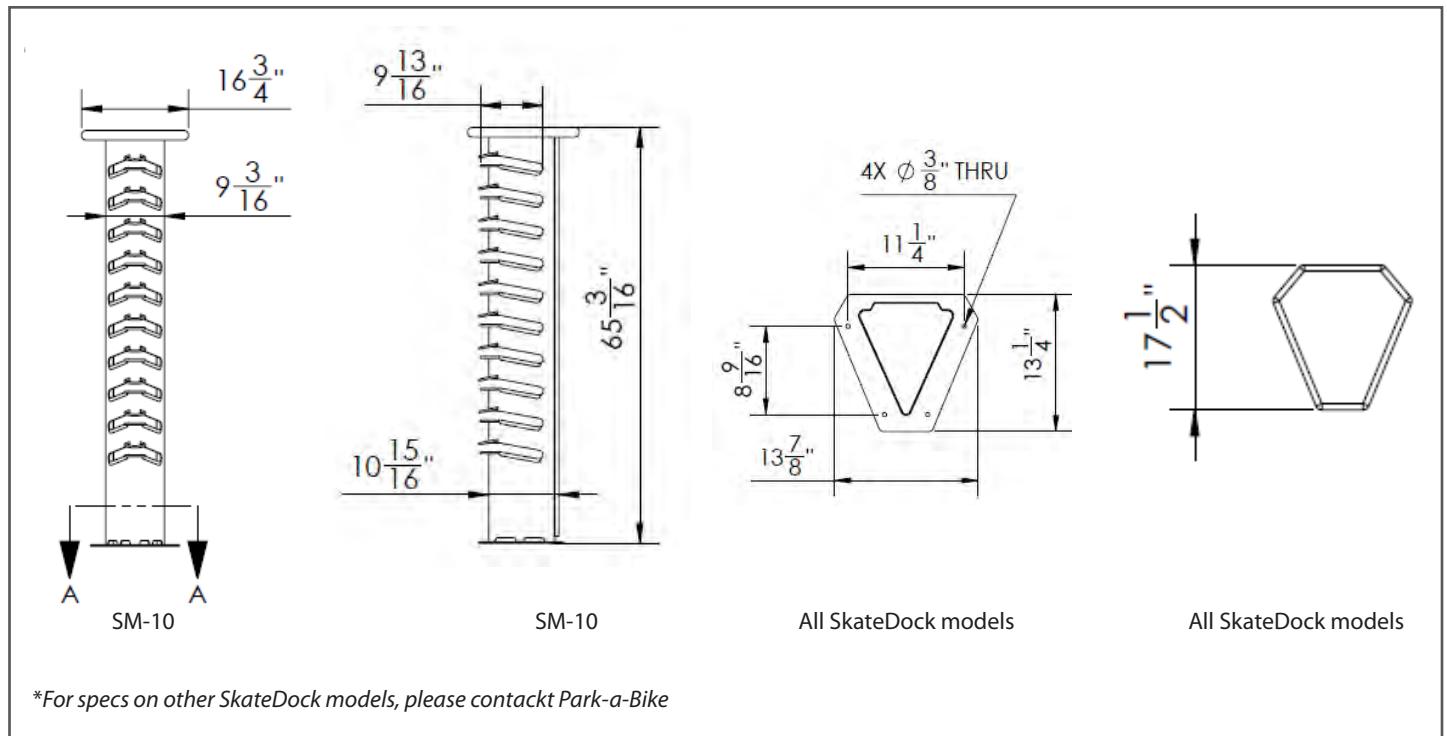
*For specs on other SkateDock models, please contact Park-a-Bike or go to parkabike.com

The SkateDock SM Series



Our SM series docks are designed to be mounted to a concrete surface using four 3/8" x 4 1/2" wedge sleeve anchors.

SKU	Capacity	Sided	Mount	Finish Options
SM-6	6	Single	Surface	Hammer Tone Powder Coat
SM-10	10	Single	Surface	Hammer Tone Powder Coat
SM-12	12	Double	Surface	Hammer Tone Powder Coat
SM-20	20	Double	Surface	Hammer Tone Powder Coat



Product Options

MATERIALS: all SkateDock series products are constructed with the following materials

ASTM A36 Steel for all structural steel
Composite or recycled PE for all top shelves

FINISHES: all SkateDock series products are available in the following finish options

Hammer Tone Powder Coat

Media blasted primer with a zinc-rich epoxy base coat and a polyester UV-stable top coat.

MOUNTING

Wall Mount

Mounts your SkateDock to a wall using 6 masonry anchors 3/8" in diameter going to the wall for a secure and space saving unit.

Surface Mount

Mounts your SkateDock to concrete using a flange and four 3/8" x 4 1/2" wedge sleeve anchors to secure it for a sturdy surface mounted rack.

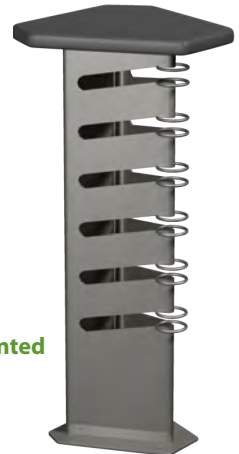
SkateDock
Wall Mounted
Single Sided
WM-6



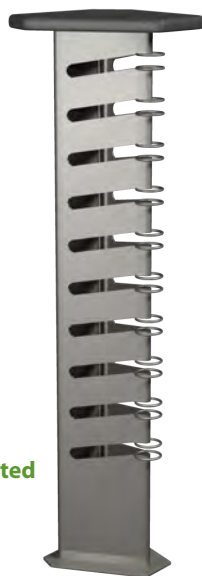
SkateDock
Wall Mounted
Single Sided
WM-8



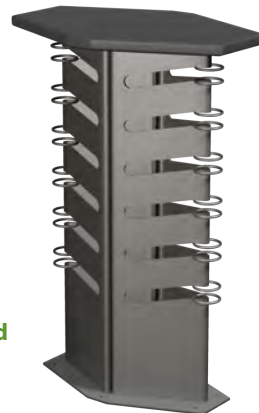
SkateDock
Surface Mounted
Single Sided
SM-6



SkateDock
Surface Mounted
Single Sided
SM-10



SkateDock
Surface Mounted
Double Sided
SM-12



SkateDock
Surface Mounted
Double Sided
SM-20

