

BIKE LOCKERS

300 Series



FEATURES AT A GLANCE

- New design, one piece locker- no assembly required
- Fiberglass reinforced composite plastic
- Diverse models to accommodate 1 or 2 bikes in the horizontal position
- Both rectangular and wedge shapes to choose from
- Features can be incorporated into the lockers such as molded in-seating, planters or in-laid designs in multiple color options to compliment or enhance your current building or building project
- Durable and low maintenance
- Finish allows easy removal of graffiti and is resistant to impact, scratches and U.V. damage
- Heavy duty, high quality hardware for security and protection

COMPARISON CHART

	300 Series
Meets APBP Guidelines	****
Bicycle Friendly Containment	****
Simple and Intuitive	****
Security	****
Density	**
Cost Per Bike	\$\$\$
Cost Per Bike+Shipping	\$\$\$\$

KEY

*	Moderate	\$	+/- \$50 per bike
**	Good	\$\$	+/- \$100 per bike
***	Better	\$\$\$	+/- \$500 per bike
****	Best	\$\$\$\$	+/- \$1000 per bike

These ratings are based on an interior study conducted by our experienced Engineers and Designers.

OPTIONS

MOUNT

Surface Mount

Mounted above ground to concrete or asphalt with anchors. Anchors can be removed for easy relocation of any of our lockers

FINISH

Galvanized

Galvanized metal is simply steel that has a zinc oxide coating to protect from elements that would normally lead to oxidation, corrosion and rust that can cause the eventual weakening of the steel

Fiberglass Reinforced Plastic (FRP)

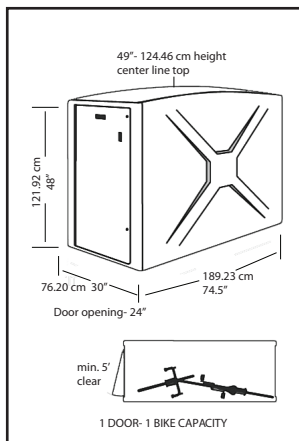
Dent resistant, has low thermal expansion, is corrosion resistant, has insulating properties, is lightweight as well as stiff, and has a high impact tolerance. This product is also fire resistant

QUICK SPECS

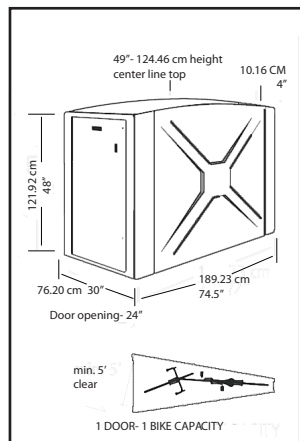
Model	Capacity	Features	Finish	Weight	L	W	H
301	1	1 Bike	G, FRP	200 lbs	74.5"	30"	48"
301P	1	1 Bike Pie shape	FRP	190 lbs	72"	30"	48"
301V	1	Vertical	FRP	260 lbs	54"	30"	73"
301W	2	2 Bikes, 1 door	FRP	220 lbs	74.5"	40"	48"
302	2	2 Bikes, 2 doors	FRP	220 lbs	74.5"	40"	48"

Finish

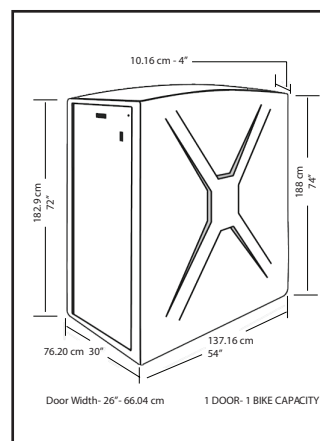
G	Galvanized
FRP	Fiberglass Reinforced Plastic



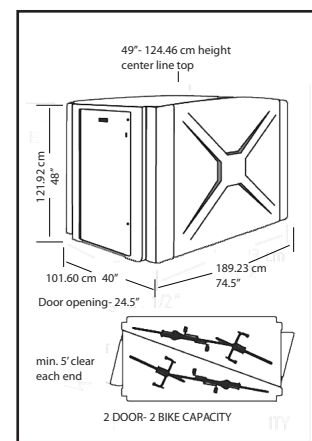
301



301P



301V



302

*Please call or email us if you would like to see specs on our 301W model

parkabike.com / P: 800 630-7225 / info@parkabike.com



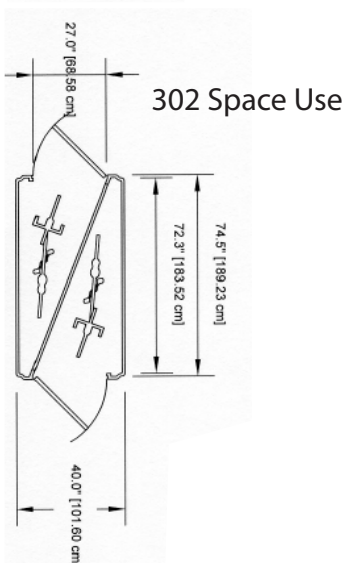
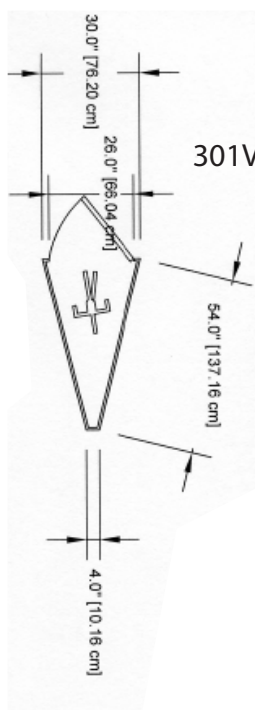
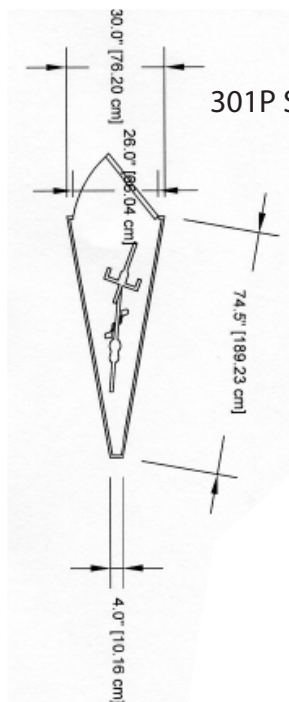
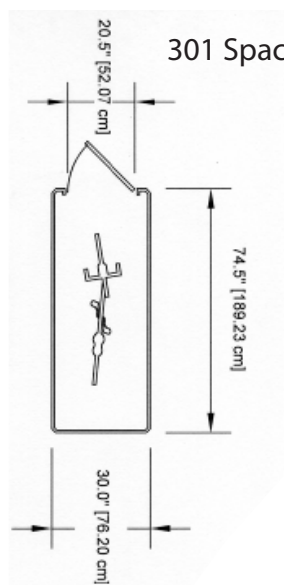
Galvanized
Model 301 only



Medium Grey
Fiberglass
Reinforced Plastic



Tan
Fiberglass
Reinforced Plastic



MATERIALS

Structure: Fiberglass reinforced plastic
 Hardware: 1/2" stainless steel bolts
 3/8" anchors
 Teflon washers
 Heavy gauge stainless steel continuous door hinge
 Zinc plated fasteners and assembly hardware

FINISH

A hot dipped galvanized finish is offered on the 301 model for a finish that is resistant to rust, corrosion, and oxidation.

Fiberglass reinforced plastic with a solid color stipple texture finish allows for easy removal of graffiti and is resistant to impact, scratches and U.V. damage.

Finish does not need painting, resists impact plus chemicals and stains. Materials will withstand extremes in temperature and other weather environmental conditions.

Tan and medium grey colors are available.

MOUNTING

Stand alone or grouped options are available.

A stacking option is also available for specific models.

Bottom edge must be a minimum of 1" above ground level