

**MATERIALS & FEATURES**

- 2 bicycles secured - long term or short term parking solution\*
- Black or Silver injection molded urethane Smart Guards
- Steel locking loops
- Wheel pocket docks
- PC/ABS injection molded cap
- Smart and Safe bicycle parking video QR tag

**FINISH**

- Black Polyester Powder Coat
- (Standard)** Hot Dipped Galvanized **(Marine Environment)**

**MOUNTING OPTIONS**

- Surface mount - Concrete **(Anchors Sold Separately)**
- In-ground mount - Stinger **(Stinger Sold Separately)**

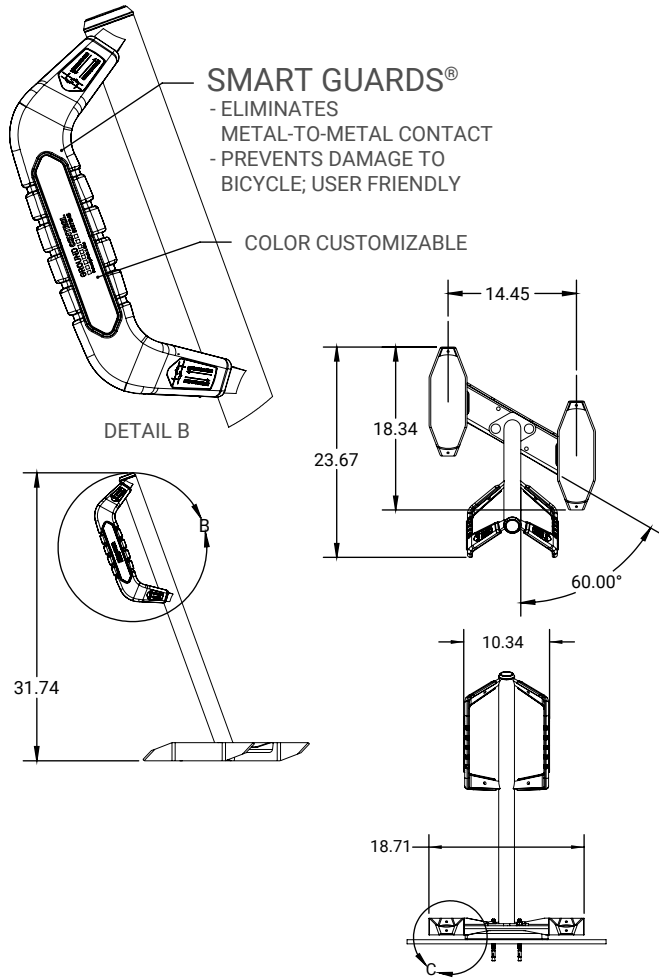
**SMART GUARD LABEL OPTIONS**

- Ground Control Systems Label **(Standard)**
- Custom - Put your Brand, Logo, or Message, and your Color

**SPACE USE RECOMMENDATIONS**

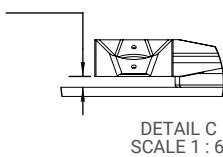
- Front of rack to wall setback to center base plate
  - Minimum 18" perpendicular to center base plate
  - Minimum 16" diagonal 30°
- Racks parallel to a side wall
  - Minimum 24" from center base plate
- Distance between racks
  - Minimum 32" center to center
  - Recommended 38 1/2" perpendicular OR 44 1/2" diagonal
- Street setbacks
  - Parallel to street minimum: 45" from curb
  - Perpendicular to street minimum: 38" from curb where vehicle parking is present. 18" where vehicle parking is not permitted.

\*Please contact us for additional information on the DV215 as a long term parking solution.



**ELEVATED DECK**

- EASY REMOVAL OF DEBRIS.
- ELIMINATES CONTACT BETWEEN THE DOCK AND THE GROUND
- PREVENTS ELECTROLYSIS
- REDUCES CORROSION
- EXTENDS THE LIFE OF THE DOCK



**MOUNTING CONFIGURATIONS**

**SURFACE MOUNT CONCRETE**      **SURFACE MOUNT PAVER**      **IN-GROUND MOUNT STINGER**

